

EDIL
inox
CANNE FUMARIE



EdilAIR

DOPPIA PARETE ARIA
DOUBLE WALL AIR

EdiAIR



SISTEMA DOPPIA PARETE ARIA EdilAIR

Il sistema **doppia parete aria EdilAIR** è composto da elementi componibili rigidi con finitura lucida BA, realizzati con parete interna in acciaio inox austenitico AISI 316L BA (EN 1.4404) di spessore minimo 0,4 mm e parete esterna in acciaio inox austenitico AISI 304 BA (EN 1.4301) di spessore 0,4 mm, conformi agli standard previsti dalla marcatura CE secondo la normativa EN 1856/1-2. La coibentazione è realizzata con "lama d'aria" statica di spessore 10 mm. Gli elementi modulari hanno innesto classico a bicchiere maschio-femmina calibrato per entrambi le pareti con guarnizione di tenuta a triplice labbro da inserire sulla parete interna, conforme alla normativa europea EN 14241-1, e giunzione meccanica con fascetta di sicurezza.

Riferimento normativo e designazione

Marcatura del prodotto secondo la normativa europea:
CE 0476 EN 1856-1 / EN 1856-2.

T200 P1 W V2 L50040* O 20 con guarnizione

T600 N1 W V2 L50040 G500 M

* La designazione può variare in funzione della qualità e dello spessore della materia prima come indica la tabella di seguito:

V2 AISI 316L		Vm AISI 304		ISOL.	SPESSORI
EN 1856-1	EDILINOX	EN 1856/1-2	EDILINOX		
L50040	EdilAIR	L20040	EEdilAIR	10 mm	0,4 mm
L50050	EdilAIR	L20050	EEdilAIR	10 mm	0,5 mm

Utilizzo

Condotti, canali da fumo, camini metallici, esalazioni aria asserviti a generatori di calore di tipo atmosferico, pressurizzato, ad aria soffiata, tradizionali o a condensazione, cappe cucina per uso industriale o domestico, stufe a pellet.

Applicazione

Installazione interna o esterna.

Diametri disponibili - mm

60/80 A RICHIESTA

80/100 - 100/120 - 130/150 - 160/180 - 180/200 - 200/220.

230/250 A RICHIESTA

Diametro **250/270** disponibile **A RICHIESTA**

DOUBLE WALL AIR EdilAIR SYSTEM

Double wall air EdilAIR system is composed by modular rigid elements with BA surface finish, made with the inner wall of austenitic stainless steel AISI 316L BA (EN 1.4404) minimum thickness of 0.4 mm and outer wall in austenitic stainless steel AISI 304 BA (EN 1.4301) thickness 0.4 mm, according to the standards set out by the European CE mark, EN 1856/1-2. Insulation made with "air-blade" system, 10 mm thickness. The modular elements have classic male-female junction calibrated for both sides, with triple seal lip gasket, conforming to European standard EN 14241-1, and mechanical connection with locking clamp.

Normative references and designation

*Product marking according to the European standard:
CE 0476 EN 1856-1 / EN 1856-2.*

T200 P1 W V2 L50040 O 20 with seal*

T600 N1 W V2 L50040 G500 M

** The designation may vary according to the quality and thickness of the raw material, as indicated in the table below:*

V2 AISI 316L		Vm AISI 304		INSUL.	THICKNESS
EN 1856-1	EDILINOX	EN 1856/1-2	EDILINOX		
L50040	EdilAIR	L20040	EEdilAIR	10 mm	0.4 mm
L50050	EdilAIR	L20050	EEdilAIR	10 mm	0.5 mm

Utilizations

Ducts, flue pipes, metal chimneys, air conduction subservient to atmospheric heat generators, pressurized, air blown, traditional or condensing, industrial or domestic kitchen hoods, pellet stoves.

Application

Internal or external installation.

Available diameters - mm

60/80 ON REQUEST

80/100 - 100/120 - 130/150 - 160/180 - 180/200 - 200/220.

230/250 ON REQUEST

*Diameter **250/270** available **ON REQUEST***

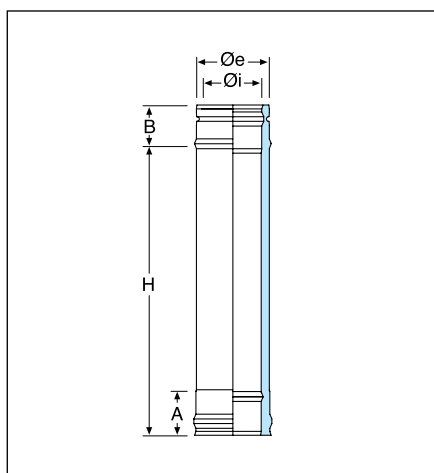
DOPPIA PARETE ARIA - DOUBLE WALL AIR

EIKATDP20C...



Elemento lineare da 2 m.

Pipe 2 m.



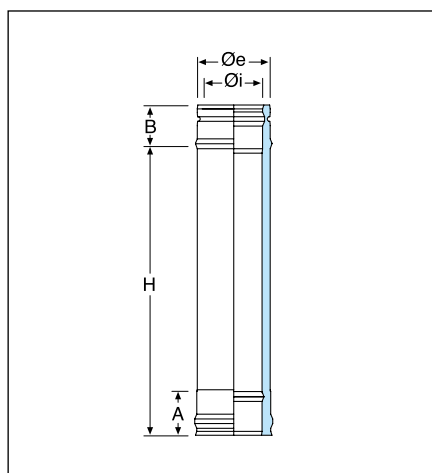
Øi	Øe	COD.	A	B	H
60	80	EIKATDP20C060	65	54	1940
80	100	EIKATDP20C080	#	#	#

EIKATDP1C...



Elemento lineare da 1 m.

Pipe 1 m.



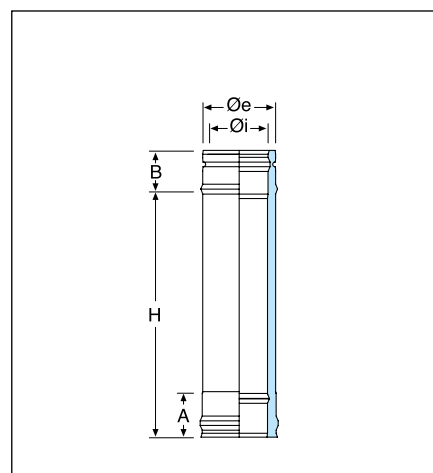
Øi	Øe	COD.	A	B	H
60	80	EIKATDP1C060	65	54	940
80	100	EIKATDP1C080	65	54	940
100	120	EIKATDP1C100	65	54	940
130	150	EIKATDP1C130	65	54	940
160	180	EIKATDP1C160	65	54	940
180	200	EIKATDP1C180	65	54	940
200	220	EIKATDP1C200	65	54	940
230	250	EIKATDP1C230	65	54	940

EIKATDP5C...



Elemento lineare da 0,50 m.

Pipe 0.50 m.



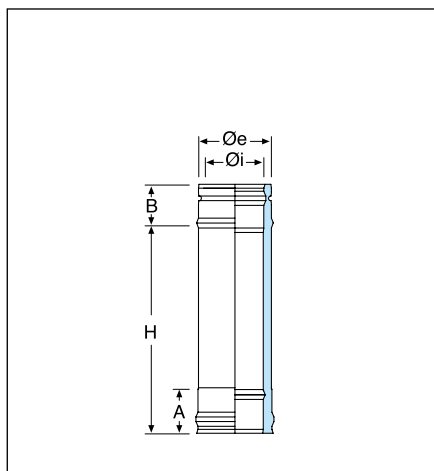
Øi	Øe	COD.	A	B	H
60	80	EIKATDP5C060	65	54	440
80	100	EIKATDP5C080	65	54	440
100	120	EIKATDP5C100	65	54	440
130	150	EIKATDP5C130	65	54	440
160	180	EIKATDP5C160	65	54	440
180	200	EIKATDP5C180	65	54	440
200	220	EIKATDP5C200	65	54	440
230	250	EIKATDP5C230	65	54	440

EIKATDP2C...



Elemento lineare da 0,33 m.

Pipe 0.33 m.



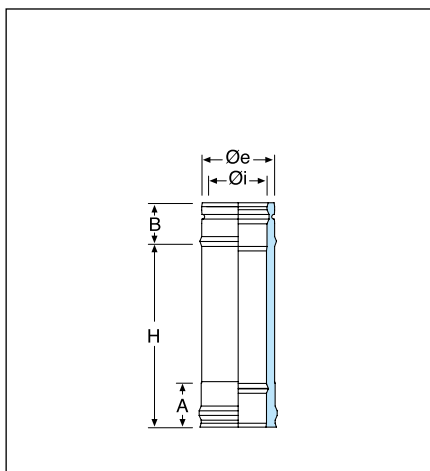
Øi	Øe	COD.	A	B	H
60	80	EIKATDP2C060	#	#	#
80	100	EIKATDP2C080	65	54	270
100	120	EIKATDP2C100	65	54	270
130	150	EIKATDP2C130	65	54	270
160	180	EIKATDP2C160	65	54	270
180	200	EIKATDP2C180	65	54	270
200	220	EIKATDP2C200	65	54	270
230	250	EIKATDP2C230	65	54	270

EIKATDP25C...



Elemento lineare da 0,25 m.

Pipe 0.25 m.



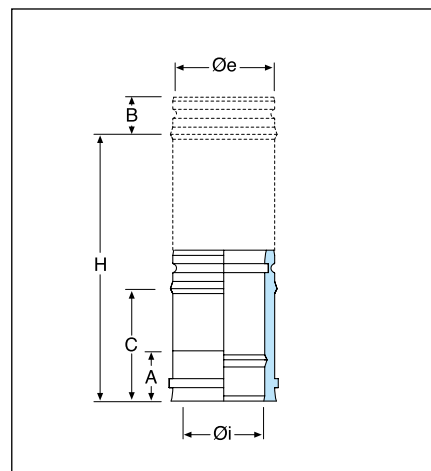
Øi	Øe	COD.	A	B	H
60	80	EIKATDP25C060	65	54	190
80	100	EIKATDP25C080	65	54	190
100	120	EIKATDP25C100	65	54	190
130	150	EIKATDP25C130	65	54	190
160	180	EIKATDP25C160	65	54	190
180	200	EIKATDP25C180	65	54	190
200	220	EIKATDP25C200	65	54	190
230	250	EIKATDP25C230	65	54	190

EIKAETDP4C...



Elemento telescopico.

Adjustable pipe.



Øi	Øe	COD.	A	B	C	H
60	80	EIKAETDP4C060	#	#	#	#
80	100	EIKAETDP4C080	65	54	257	390
100	120	EIKAETDP4C100	65	54	257	390
130	150	EIKAETDP4C130	65	54	257	390
160	180	EIKAETDP4C160	65	54	257	390
180	200	EIKAETDP4C180	65	54	257	390
200	220	EIKAETDP4C200	65	54	257	390
230	250	EIKAETDP4C230	65	54	257	390

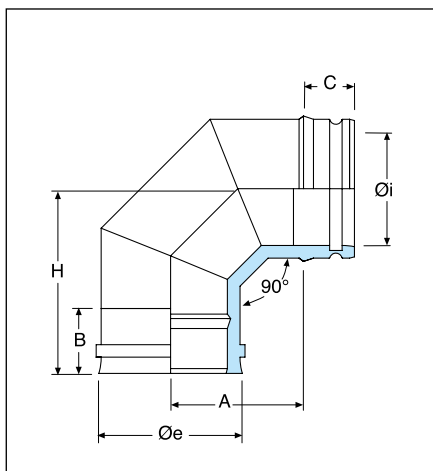
DOPPIA PARETE ARIA - DOUBLE WALL AIR

EIKAGDP90C...



Curva a 90°.

Elbow 90°.



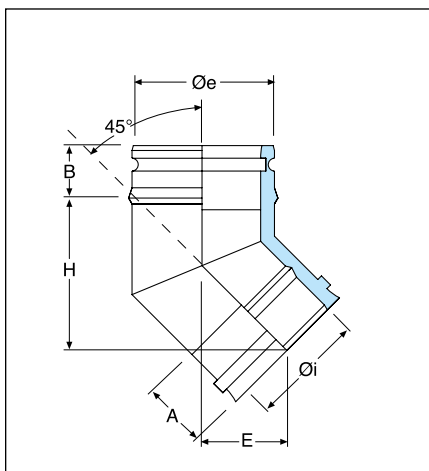
Øi	Øe	COD.	A	B	C	H
60	80	EIKAGDP90C060	76	65	54	134
80	100	EIKAGDP90C080	145	65	54	149
100	120	EIKAGDP90C100	150	65	54	154
130	150	EIKAGDP90C130	160	65	54	155
160	180	EIKAGDP90C160	180	65	54	181
180	200	EIKAGDP90C180	185	65	54	184
200	220	EIKAGDP90C200	#	#	#	#
230	250	EIKAGDP90C230	#	#	#	#

EIKAGDP45C...



Curva a 45°.

Elbow 45°.



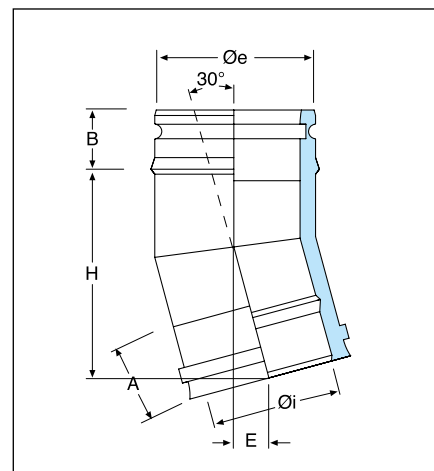
Øi	Øe	COD.	A	B	E	H
60	80	EIKAGDP45C060	65	54	60	91
80	100	EIKAGDP45C080	65	54	64	98
100	120	EIKAGDP45C100	65	54	67	105
130	150	EIKAGDP45C130	65	54	75	126
160	180	EIKAGDP45C160	65	54	79	137
180	200	EIKAGDP45C180	65	54	82	143
200	220	EIKAGDP45C200	65	54	88	160
230	250	EIKAGDP45C230	65	54	91	164

EIKAGDP30C...



Curva a 30°.

Elbow 30°.



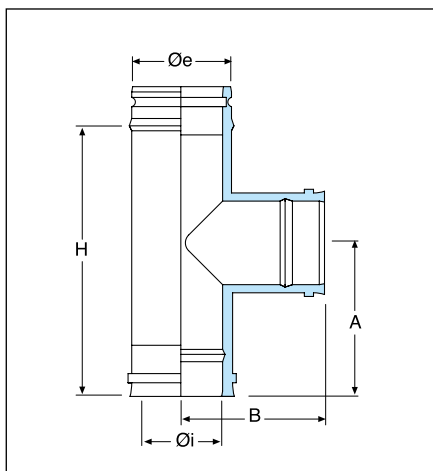
Øi	Øe	COD.	A	B	E	H
60	80	EIKAGDP30C060	#	#	#	#
80	100	EIKAGDP30C080	65	54	44	116
100	120	EIKAGDP30C100	65	54	46	119
130	150	EIKAGDP30C130	65	54	48	122
160	180	EIKAGDP30C160	65	54	51	130
180	200	EIKAGDP30C180	65	54	51	135
200	220	EIKAGDP30C200	65	54	53	142
230	250	EIKAGDP30C230	65	54	54	147

EIKARTDPC...



Raccordo a "T" 90°.

90° tee.



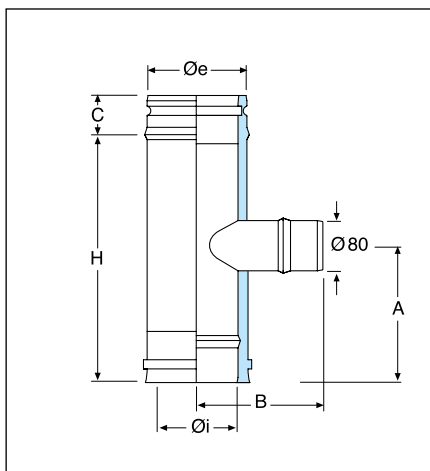
Øi	Øe	COD.	A	B	H
60	80	EIKARTDPC060	123	128	190
80	100	EIKARTDPC080	123	138	190
100	120	EIKARTDPC100	163	148	270
130	150	EIKARTDPC130	160	155	270
160	180	EIKARTDPC160	160	170	270
180	200	EIKARTDPC180	245	180	440
200	220	EIKARTDPC200	245	190	440
230	250	EIKARTDPC230	245	205	440

EIKARTDPCU...



Raccordo a "T" 90° uscita monoparete ridotta a Ø 80 mm.

Tee 90° reduced Ø 80 mm single wall.



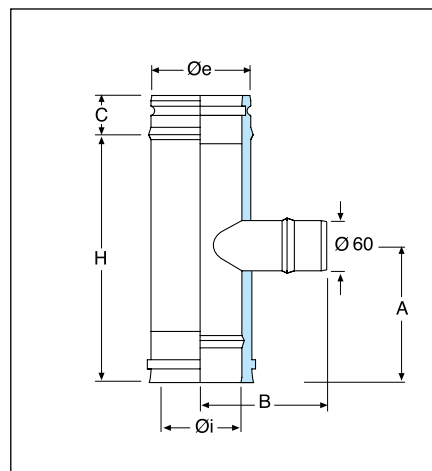
Øi	Øe	COD.	A	B	C	H
60	80	EIKARTDPCU060	#	#	#	#
80	100	EIKARTDPCU080	125	70	54	190
100	120	EIKARTDPCU100	125	80	54	190
130	150	EIKARTDPCU130	125	95	54	190
160	180	EIKARTDPCU160	125	110	54	190
180	200	EIKARTDPCU180	125	120	54	190
200	220	EIKARTDPCU200	125	130	54	190
230	250	EIKARTDPCU230	125	145	54	190

EIKARTDP60CU... *



Raccordo a "T" 90° uscita monoparete ridotta a Ø 60 mm.

Tee 90° reduced Ø 60 mm single wall.



Øi	Øe	COD.	A	B	C	H
60	80	EIKARTDP60CU060	#	#	#	#
80	100	EIKARTDP60CU080	125	70	54	190
100	120	EIKARTDP60CU100	125	80	54	190
130	150	EIKARTDP60CU130	125	95	54	190
160	180	EIKARTDP60CU160	125	110	54	190
180	200	EIKARTDP60CU180	125	120	54	190
200	220	EIKARTDP60CU200	125	130	54	190
230	250	EIKARTDP60CU230	125	145	54	190

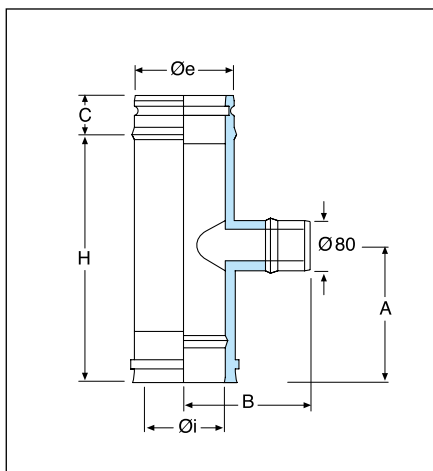
DOPPIA PARETE ARIA - DOUBLE WALL AIR

EIKARTDPCUDP...



Raccordo a "T" 90° uscita doppia parete ridotta a Ø 80 mm.

Tee 90° reduced Ø 80 mm double wall.



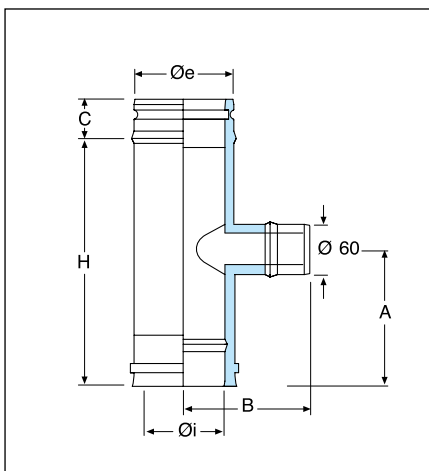
Øi	Øe	COD.	A	B	C	H
60	80	EIKARTDPCUDP060	#	#	#	#
80	100	EIKARTDPCUDP080	#	#	#	#
100	120	EIKARTDPCUDP100	125	80	54	190
130	150	EIKARTDPCUDP130	125	95	54	190
160	180	EIKARTDPCUDP160	125	110	54	190
180	200	EIKARTDPCUDP180	125	120	54	190
200	220	EIKARTDPCUDP200	125	130	54	190
230	250	EIKARTDPCUDP230	125	145	54	190

EIKARTDPU60DP... *



Raccordo a "T" 90° uscita doppia parete ridotta a Ø 60 mm.

Tee 90° reduced Ø 60 mm double wall.



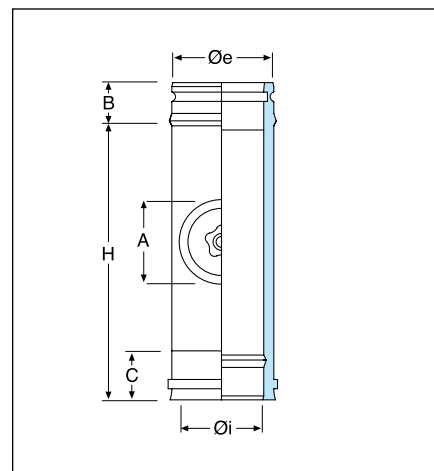
Øi	Øe	COD.	A	B	C	H
60	80	EIKARTDPU60DP06	#	#	#	#
80	100	EIKARTDPU60DP08	#	#	#	#
100	120	EIKARTDPU60DP10	125	80	54	190
130	150	EIKARTDPU60DP13	125	95	54	190
160	180	EIKARTDPU60DP16	125	110	54	190
180	200	EIKARTDPU60DP18	125	120	54	190
200	220	EIKARTDPU60DP20	125	130	54	190
230	250	EIKARTDPU60DP23	125	145	54	190

EIKATSIDPC...



Elemento con portello tondo per ispezione T 200°.

Inspection element with round test point T 200°.



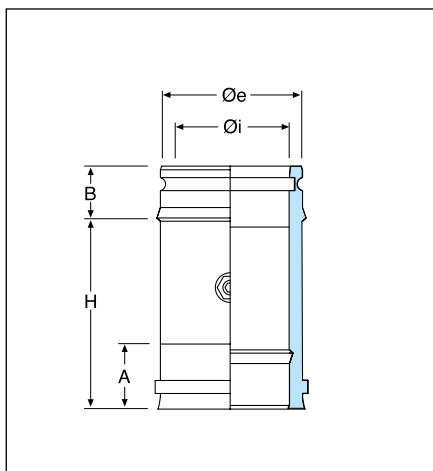
Øi	Øe	COD.	A	B	C	H
60	80	EIKATSIDPC060	60	54	65	190
80	100	EIKATSIDPC080	80	54	65	190
100	120	EIKATSIDPC100	100	54	65	270
130	150	EIKATSIDPC130	130	54	65	270
160	180	EIKATSIDPC160	160	54	65	270
180	200	EIKATSIDPC180	180	54	65	440
200	220	EIKATSIDPC200	200	54	65	440
230	250	EIKATSIDPC230	200	54	65	440

EIKAPFDP...



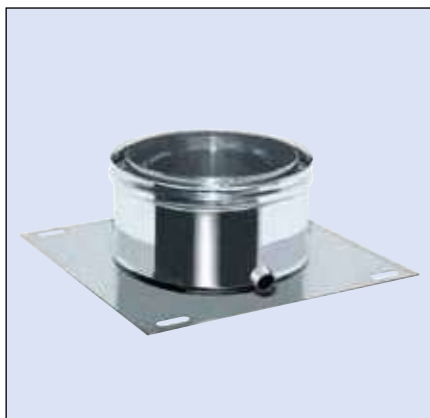
Elemento per prelievo fumi.

Fumes test section with threaded sleeve.



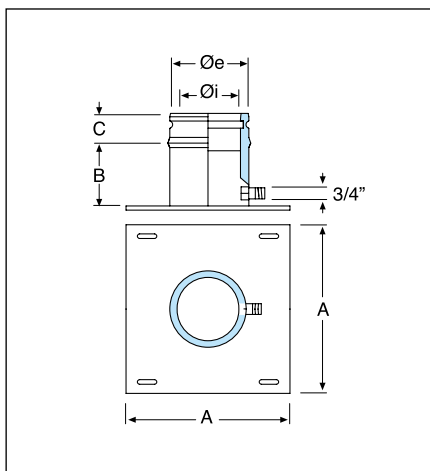
Øi	Øe	COD.	A	B	H
60	80	EIKAPFDP060	#	#	#
80	100	EIKAPFDP080	65	54	190
100	120	EIKAPFDP100	65	54	190
130	150	EIKAPFDP130	65	54	190
160	180	EIKAPFDP160	65	54	190
180	200	EIKAPFDP180	65	54	190
200	220	EIKAPFDP200	65	54	190
230	250	EIKAPFDP230	65	54	190

EIKAPIASTRC...



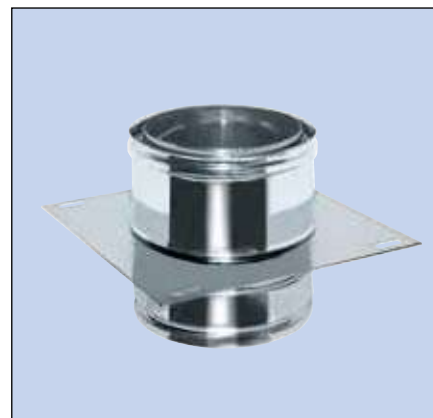
Piastra di partenza con scarico laterale.

Base plate with drain plug.



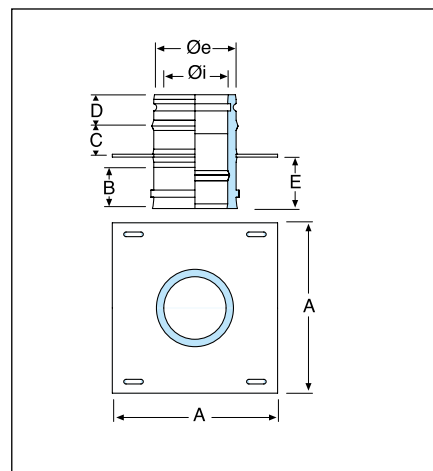
Øi	Øe	COD.	A	B	C
60	80	EIKAPIASTRC060	#	#	#
80	100	EIKAPIASTRC080	200	100	54
100	120	EIKAPIASTRC100	220	100	54
130	150	EIKAPIASTRC130	250	100	54
160	180	EIKAPIASTRC160	280	100	54
180	200	EIKAPIASTRC180	300	100	54
200	220	EIKAPIASTRC200	320	100	54
230	250	EIKAPIASTRC230	350	100	54

EIKAPIASIC...



Piastra intermedia.

Intermediate anchor plate.



Øi	Øe	COD.	A	B	C	D	E
60	80	EIKAPIASIC060	#	#	#	#	#
80	100	EIKAPIASIC080	200	65	58	54	80
100	120	EIKAPIASIC100	220	65	58	54	80
130	150	EIKAPIASIC130	250	65	58	54	80
160	180	EIKAPIASIC160	280	65	58	54	80
180	200	EIKAPIASIC180	300	65	58	54	80
200	220	EIKAPIASIC200	320	65	58	54	80
230	250	EIKAPIASIC230	350	65	58	54	80

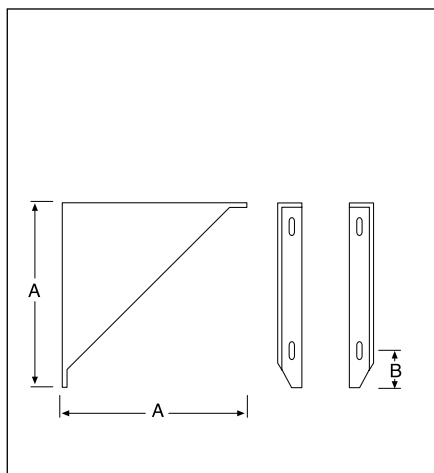
DOPPIA PARETE ARIA - DOUBLE WALL AIR

EIKCS...



Coppia di supporti per piastra.

Cantilever brackets (pair).



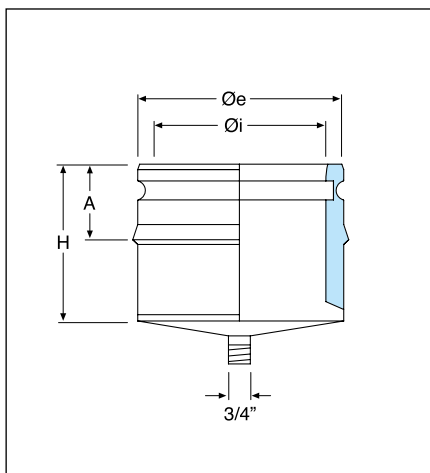
\varnothing_i	\varnothing_e	COD.	A	B
60	80	EIKCS080	180	32
80	100	EIKCS100	200	32
100	120	EIKCS120	220	32
130	150	EIKCS150	250	32
160	180	EIKCS180	280	32
180	200	EIKCS200	300	32
200	220	EIKCS220	320	32
230	250	EIKCS250	350	32

EIKATAPDP4C...



Scarico condensa.

Tee cap with condense drain.



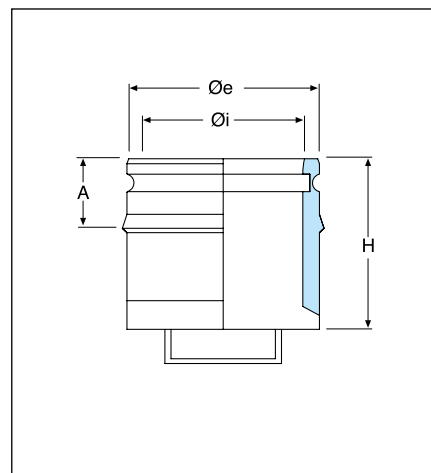
\varnothing_i	\varnothing_e	COD.	A	H
60	80	EIKATAPDP4C060	54	115
80	100	EIKATAPDP4C080	54	115
100	120	EIKATAPDP4C100	54	115
130	150	EIKATAPDP4C130	54	115
160	180	EIKATAPDP4C160	54	115
180	200	EIKATAPDP4C180	54	115
200	220	EIKATAPDP4C200	54	115
230	250	EIKATAPDP4C230	54	115

EIKATCDP...



Tappo cieco.

Tee cap.



\varnothing_i	\varnothing_e	COD.	A	H
60	80	EIKATCDP060	54	115
80	100	EIKATCDP080	54	115
100	120	EIKATCDP100	54	115
130	150	EIKATCDP130	54	115
160	180	EIKATCDP160	54	115
180	200	EIKATCDP180	54	115
200	220	EIKATCDP200	54	115
230	250	EIKATCDP230	54	115

Finitura ramata esterna a richiesta
External copper finish on request

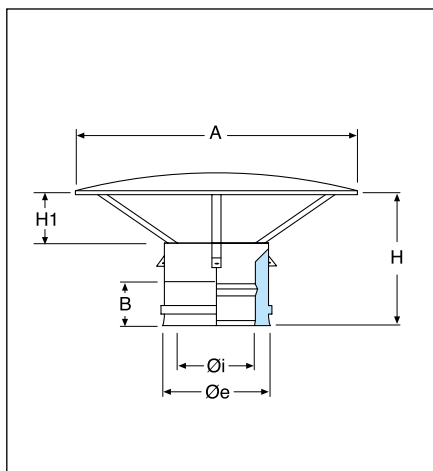
i In fase di ordine: considerare **sempre il diametro esterno** della canna fumaria • *When ordering: always consider the outside diameter of the flue chimney*

EIKACDPC...



Cappello cinese.

Rain cap.



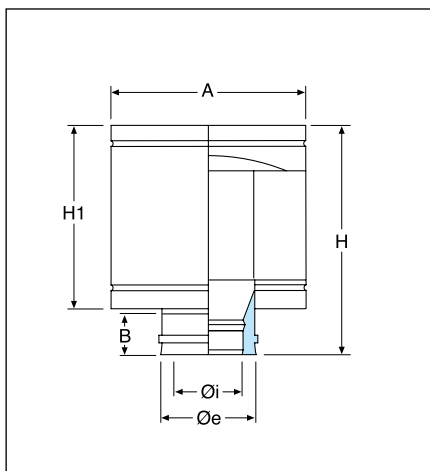
Øi	Øe	COD.	A	B	H	H1
60	80	EIKACDPC060	180	65	185	50
80	100	EIKACDPC080	230	65	205	70
100	120	EIKACDPC100	265	65	205	70
130	150	EIKACDPC130	265	65	210	75
160	180	EIKACDPC160	320	65	225	90
180	200	EIKACDPC180	320	65	235	100
200	220	EIKACDPC200	400	65	250	115
230	250	EIKACDPC230	400	65	260	125

EIKATADPC...



Terminale anti intemperie.

Anti draught terminal.



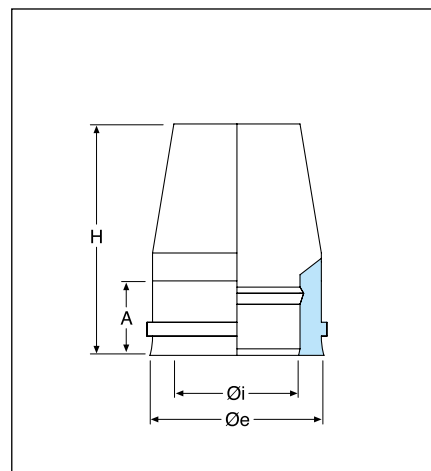
Øi	Øe	COD.	A	B	H	H1
60	80	EIKATADPC060	185	65	240	165
80	100	EIKATADPC080	185	65	240	165
100	120	EIKATADPC100	220	65	240	165
130	150	EIKATADPC130	260	65	260	200
160	180	EIKATADPC160	300	65	280	200
180	200	EIKATADPC180	310	65	320	250
200	220	EIKATADPC200	370	65	340	250
230	250	EIKATADPC230	420	65	340	250

EIKATCDPC...



Terminale tronco conico.

Venturi cone terminal.



Øi	Øe	COD.	A	H
60	80	EIKATCDPC060	65	235
80	100	EIKATCDPC080	65	235
100	120	EIKATCDPC100	65	235
130	150	EIKATCDPC130	65	235
160	180	EIKATCDPC160	65	235
180	200	EIKATCDPC180	65	235
200	220	EIKATCDPC200	65	235
230	250	EIKATCDPC230	65	235

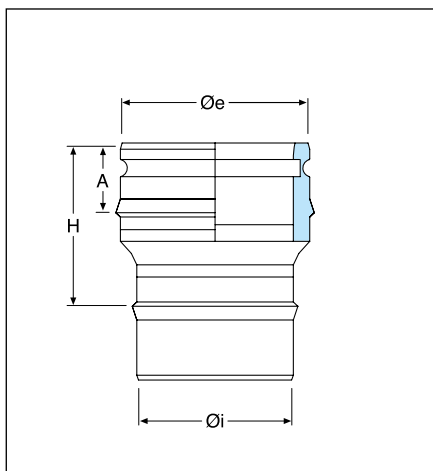
DOPPIA PARETE ARIA - DOUBLE WALL AIR

EIKARCIDP...



Raccordo ingresso mono - doppia (raccordo per caldaia).

Adaptor from single to double wall (boiler adaptor).



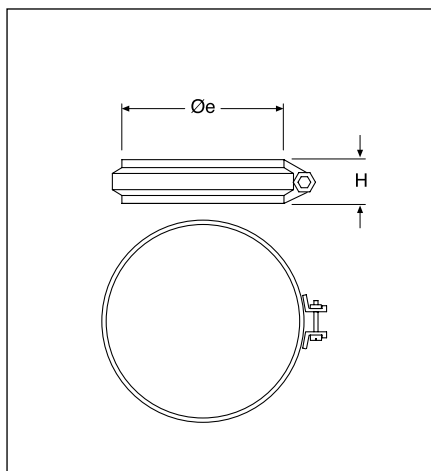
Øi	Øe	COD.	A	H
60	80	EIKARCIDP060	#	#
80	100	EIKARCIDP080	54	140
100	120	EIKARCIDP100	54	140
130	150	EIKARCIDP130	54	140
160	180	EIKARCIDP160	54	140
180	200	EIKARCIDP180	54	140
200	220	EIKARCIDP200	54	140
230	250	EIKARCIDP230	54	140

EIKFACSS...



Fascetta di sicurezza.

Locking band.



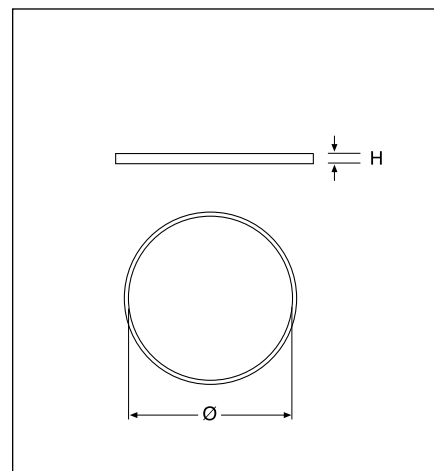
Øe	COD.	H
80	EIKFACSS080	20
100	EIKFACSS100	20
120	EIKFACSS120	20
150	EIKFACSS150	20
180	EIKFACSS180	20
200	EIKFACSS200	20
220	EIKFACSS220	20
250	EIKFACSS250	20

EIK1GN...




Guarnizione di tenuta in silicone nero.

Silicon black seal.



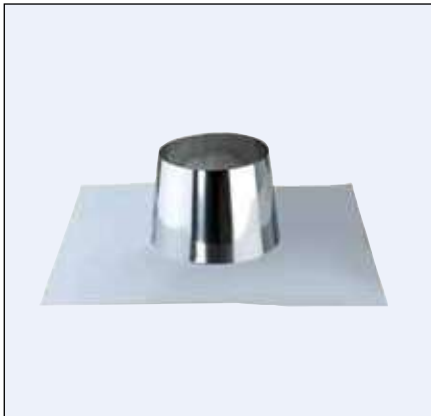
Ø	COD.	H
60	EIK1GN060	10
80	EIK1GN080	10
100	EIK1GN100	10
130	EIK1GN130	10
160	EIK1GN160	10
180	EIK1GN180	10
200	EIK1GN200	10
230	EIK1GN230	10

Finitura ramata esterna a richiesta
External koper finish on request

 In fase di ordine: considerare sempre il diametro esterno della canna fumaria • When ordering: always consider the outside diameter of the flue chimney

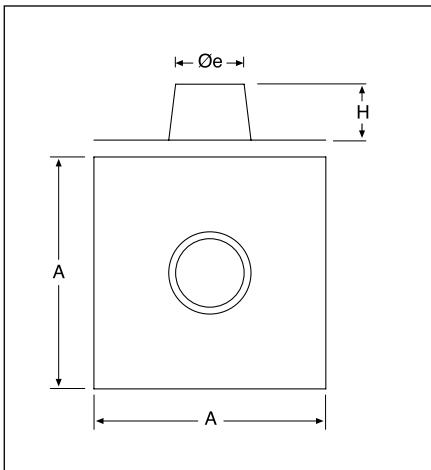
Non disponibile
Not available

EIKFPPSS...



Faldale piano inox.

Flat stainless steel flashing.



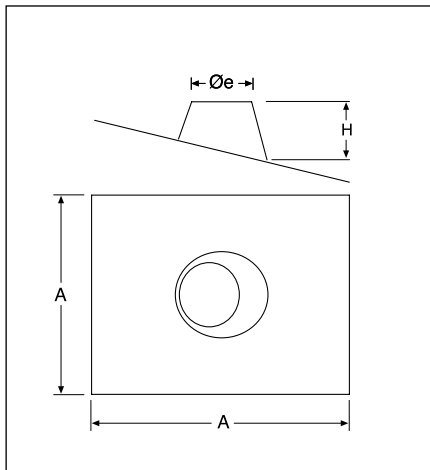
Øi	Øe	COD.	A	H
60	80	EIKFPPSS080	400	120
80	100	EIKFPPSS100	400	120
100	120	EIKFPPSS120	400	130
130	150	EIKFPPSS150	500	150
160	180	EIKFPPSS180	500	170
180	200	EIKFPPSS200	600	180
200	220	EIKFPPSS220	600	210
230	250	EIKFPPSS250	600	210

EIKFPS5S...



Faldale regolabile da 5° a 30° con base inox.

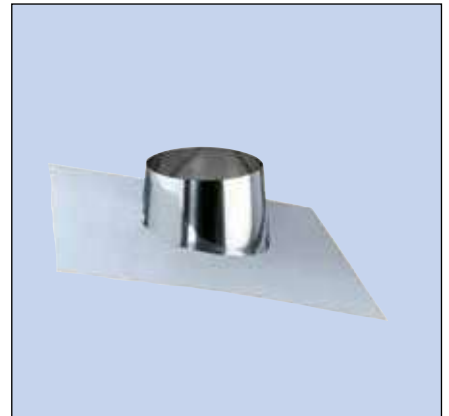
Adjustable stainless steel flashing from 5° to 30°.



Øi	Øe	COD.	A	H
60	80	EIKFPS5S080	400	120
80	100	EIKFPS5S100	400	120
100	120	EIKFPS5S120	400	130
130	150	EIKFPS5S150	500	150
160	180	EIKFPS5S180	500	170
180	200	EIKFPS5S200	600	180
200	220	EIKFPS5S220	600	210
230	250	EIKFPS5S250	600	210

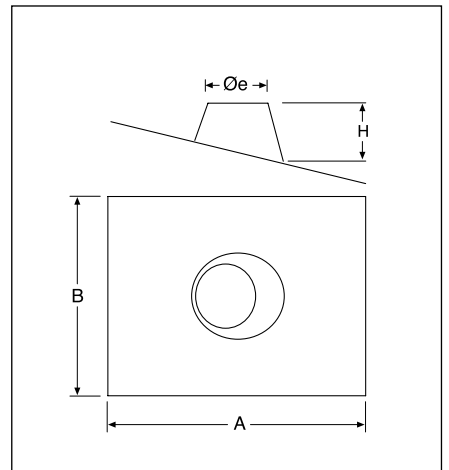


EIKFPS3S...



Faldale regolabile da 30° a 45° con base inox.

Adjustable stainless steel flashing from 30° to 45°.



Øi	Øe	COD.	A	B	H
60	80	EIKFPS3S080	550	450	120
80	100	EIKFPS3S100	550	450	120
100	120	EIKFPS3S120	550	450	130
130	150	EIKFPS3S150	650	550	150
160	180	EIKFPS3S180	750	650	170
180	200	EIKFPS3S200	750	650	180
200	220	EIKFPS3S220	750	650	210
230	250	EIKFPS3S250	750	650	210



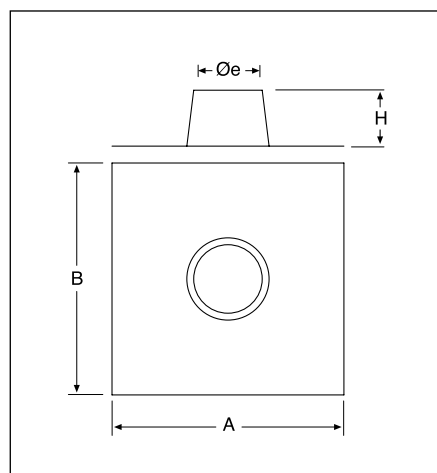
DOPPIA PARETE ARIA - DOUBLE WALL AIR

EIKFPPSSAL...



Faldale piano con base in alluminio.

Flat flashing with aluminum base.



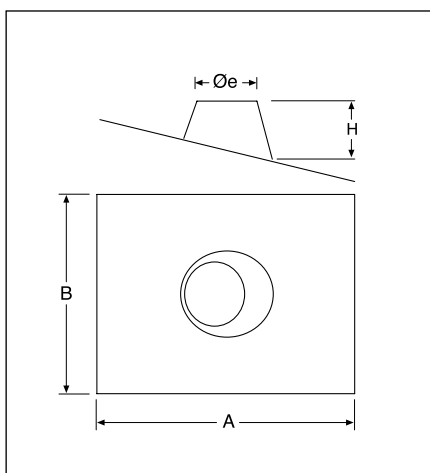
Øi	Øe	COD.	A	B	H
60	80	EIKFPPSSAL080	450	550	120
80	100	EIKFPPSSAL100	450	550	120
100	120	EIKFPPSSAL120	550	650	130
130	150	EIKFPPSSAL150	550	650	150
160	180	EIKFPPSSAL180	650	750	170
180	200	EIKFPPSSAL200	650	750	180
200	220	EIKFPPSSAL220	650	750	210
230	250	EIKFPPSSAL250	650	750	210

EIKFPS5SAL...



Faldale regolabile da 5° a 30° con base in alluminio.

Adjustable flashing from 5° to 30° with aluminum base.



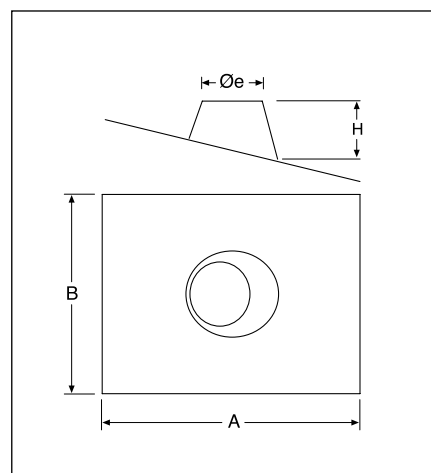
Øi	Øe	COD.	A	B	H
60	80	EIKFPS5SAL080	750	450	120
80	100	EIKFPS5SAL100	750	450	120
100	120	EIKFPS5SAL120	850	550	130
130	150	EIKFPS5SAL150	850	550	150
160	180	EIKFPS5SAL180	1000	650	170
180	200	EIKFPS5SAL200	1000	650	180
200	220	EIKFPS5SAL220	1000	650	210
230	250	EIKFPS5SAL250	1000	650	210

EIKFPS5SPI...




Faldale regolabile da 5° a 30° con base in piombo.

Adjustable flashing from 5° to 30° with lead base.



Øi	Øe	COD.	A	B	H
60	80	EIKFPS5SPI080	600	500	120
80	100	EIKFPS5SPI100	600	500	120
100	120	EIKFPS5SPI120	600	500	130
130	150	EIKFPS5SPI150	600	600	150
160	180	EIKFPS5SPI180	800	800	170
180	200	EIKFPS5SPI200	800	800	180
200	220	EIKFPS5SPI220	800	800	210
230	250	EIKFPS5SPI250	800	800	210

Finitura ramata esterna a richiesta
External copper finish on request

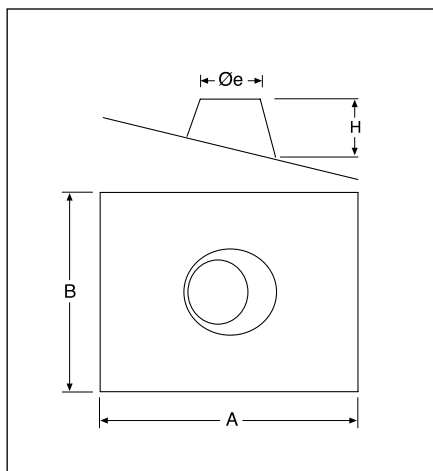
 In fase di ordine: considerare **sempre il diametro esterno** della canna fumaria • *When ordering: always consider the outside diameter of the flue chimney*

EIKFPS3SPI...



Faldale regolabile da 30° a 45° con base in piombo.

Adjustable flashing from 30° to 45° with lead base.



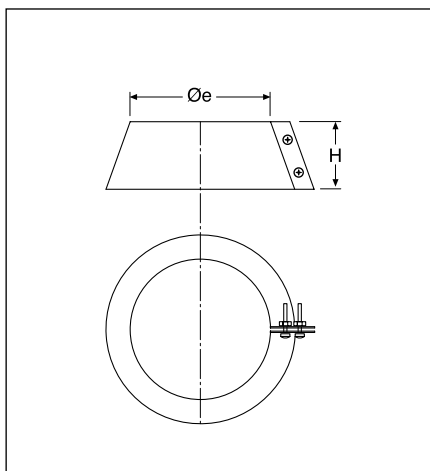
Øi	Øe	COD.	A	B	H
60	80	EIKFPS3SPI080	600	500	120
80	100	EIKFPS3SPI100	600	500	120
100	120	EIKFPS3SPI120	600	500	130
130	150	EIKFPS3SPI150	600	800	150
160	180	EIKFPS3SPI180	800	800	170
180	200	EIKFPS3SPI200	800	800	180
200	220	EIKFPS3SPI220	1000	800	210
230	250	EIKFPS3SPI250	1000	800	210

EIKFAPS2S...



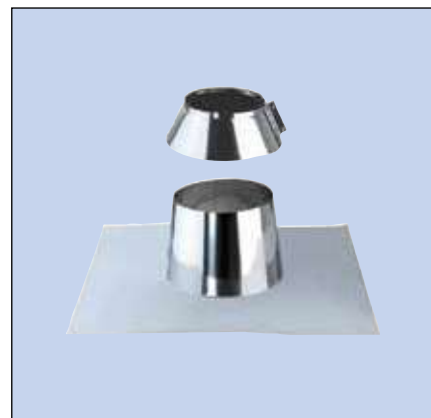
Fascetta anti intemperie.

Storm collar.



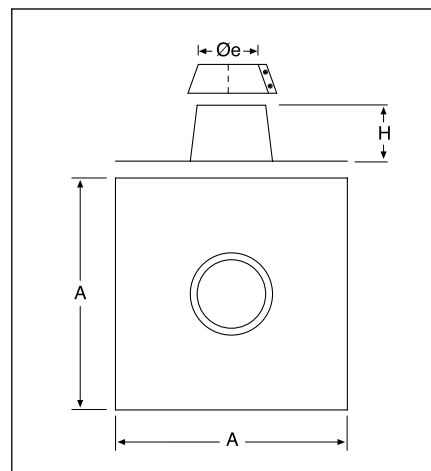
Øi	Øe	COD.	H
60	80	EIKFAPS2S080	100
80	100	EIKFAPS2S100	100
100	120	EIKFAPS2S120	100
130	150	EIKFAPS2S150	100
160	180	EIKFAPS2S180	100
180	200	EIKFAPS2S200	100
200	220	EIKFAPS2S220	100
230	250	EIKFAPS2S250	100

EIKFPPSSF...



Faldale piano con base inox e fascetta anti intemperie.

Flat stainless steel flashing with storm collar.



Øi	Øe	COD.	A	H
60	80	EIKFPPSSF080	400	120
80	100	EIKFPPSSF100	400	120
100	120	EIKFPPSSF120	400	130
130	150	EIKFPPSSF150	500	150
160	180	EIKFPPSSF180	500	170
180	200	EIKFPPSSF200	600	180
200	220	EIKFPPSSF220	600	210
230	250	EIKFPPSSF250	600	210



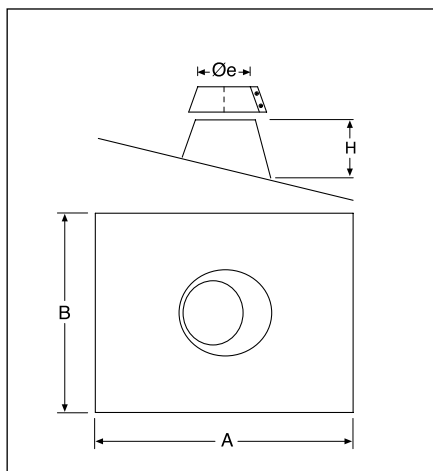
DOPPIA PARETE ARIA - DOUBLE WALL AIR

EIKFPS5SPIF...



Faldale regolabile da 5° a 30° con base in piombo e fascetta anti intemperie.

Adjustable flashing from 5° to 30° with lead base and storm collar.



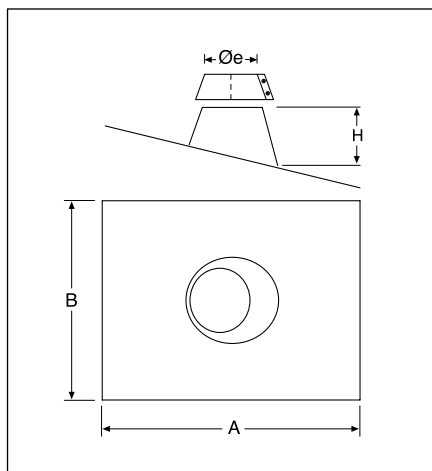
Øi	Øe	COD.	A	B	H
60	80	EIKFPS5SPIF080	600	500	120
80	100	EIKFPS5SPIF100	600	500	120
100	120	EIKFPS5SPIF120	600	500	130
130	150	EIKFPS5SPIF150	600	600	150
160	180	EIKFPS5SPIF180	800	800	170
180	200	EIKFPS5SPIF200	800	800	180
200	220	EIKFPS5SPIF220	800	800	210
230	250	EIKFPS5SPIF250	800	800	210

EIKFPS3SPIF...



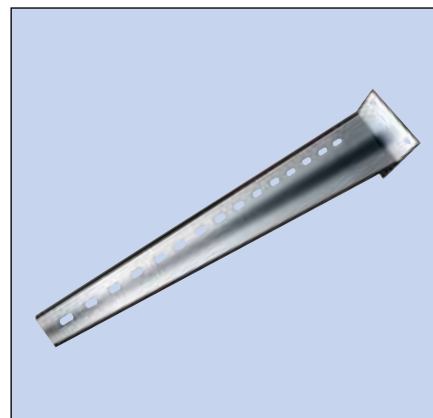
Faldale regolabile da 30° a 45° con base in piombo e fascetta anti intemperie.

Adjustable flashing from 30° to 45° with lead base and storm collar.



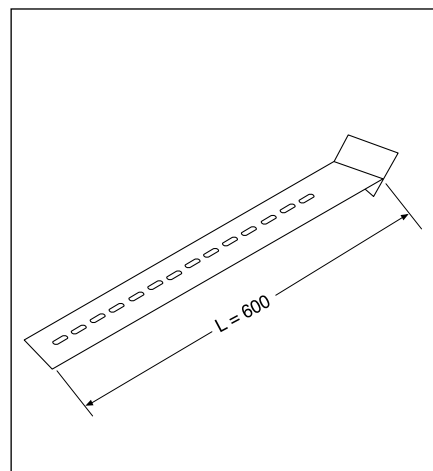
Øi	Øe	COD.	A	B	H
60	80	EIKFPS3SPIF080	600	500	120
80	100	EIKFPS3SPIF100	600	500	120
100	120	EIKFPS3SPIF120	650	500	130
130	150	EIKFPS3SPIF150	800	800	150
160	180	EIKFPS3SPIF180	800	800	170
180	200	EIKFPS3SPIF200	800	800	180
200	220	EIKFPS3SPIF220	1000	800	210
230	250	EIKFPS3SPIF250	1000	800	210

EIKDISTREG



Distanziale per collare a muro L = 600 mm.

Adjustable distance piece for wall bracket L = 600 mm.



COD.	L
EIKDISTREG	600

Finitura ramata esterna a richiesta
External copper finish on request

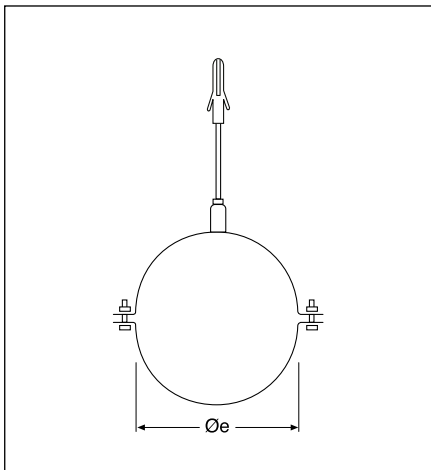
In fase di ordine: considerare sempre il diametro esterno della canna fumaria • When ordering: always consider the outside diameter of the flue chimney

EIKCFT...



Collare a muro con tassello.

Wall bracket with anchor bolt.



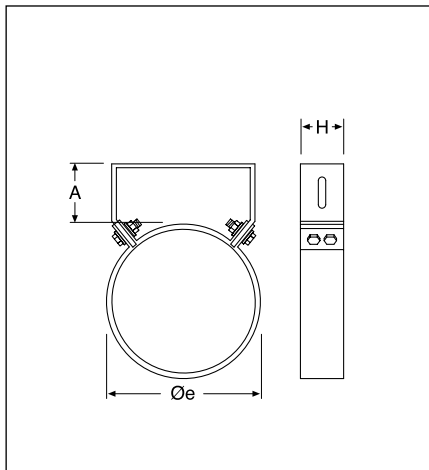
Øe	COD.
80	EIKCFT080
100	EIKCFT100
120	EIKCFT120
150	EIKCFT150
180	EIKCFT180
200	EIKCFT200
220	EIKCFT220
250	EIKCFT250

EIKCOLSS...



Collare a muro.

Wall bracket.



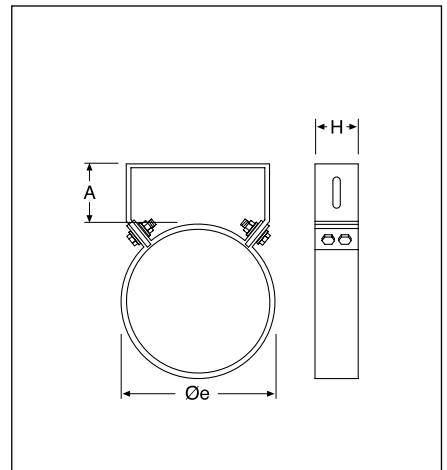
Øe	COD.	A	H
80	EIKCOLSS080	50	40
100	EIKCOLSS100	50	40
120	EIKCOLSS120	50	40
150	EIKCOLSS150	50	40
180	EIKCOLSS180	50	40
200	EIKCOLSS200	50	40
220	EIKCOLSS220	50	40
250	EIKCOLSS250	50	40

EIKCOLSSREG...



Collare a muro regolabile da 50 a 100 mm.

Wall bracket adjustable from 50 to 100 mm.



Øe	COD.	A	H
80	EIKCOLSSREG080	50-100	40
100	EIKCOLSSREG100	50-100	40
120	EIKCOLSSREG120	50-100	40
150	EIKCOLSSREG150	50-100	40
180	EIKCOLSSREG180	50-100	40
200	EIKCOLSSREG200	50-100	40
220	EIKCOLSSREG220	50-100	40
250	EIKCOLSSREG250	50-100	40



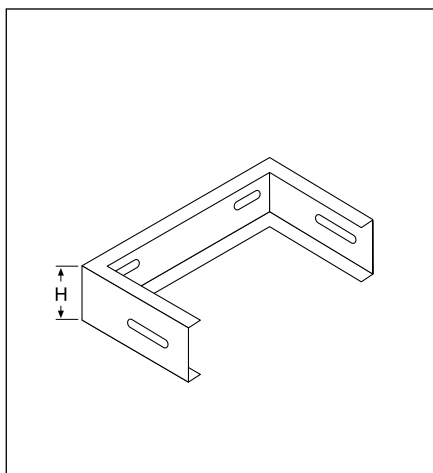
DOPPIA PARETE ARIA - DOUBLE WALL AIR

EIKDIS...



Distanziale per collare a muro.

Extension for wall bracket.



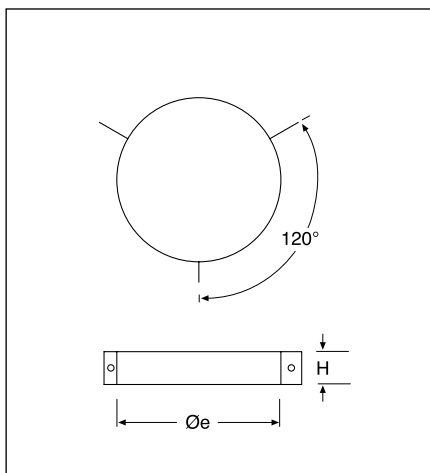
Øe	COD.	H
80	EIKDIS080	40
100	EIKDIS100	40
120	EIKDIS120	40
150	EIKDIS150	40
180	EIKDIS180	40
200	EIKDIS200	40
220	EIKDIS220	40
250	EIKDIS250	40

EIKFCPSS...



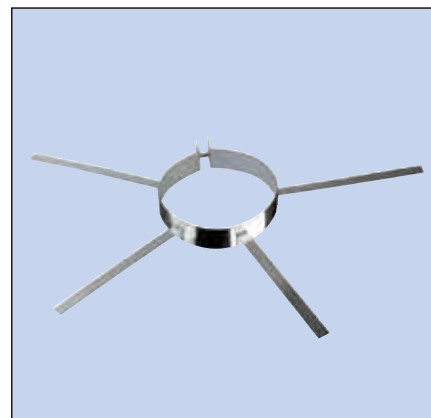
Collare per cavi tiranti.

Guy wire bracket.



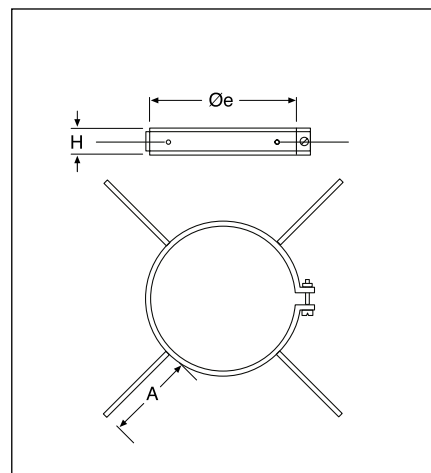
Øe	COD.	H
80	EIKFCPSS080	40
100	EIKFCPSS100	40
120	EIKFCPSS120	40
150	EIKFCPSS150	40
180	EIKFCPSS180	40
200	EIKFCPSS200	40
220	EIKFCPSS220	40
250	EIKFCPSS250	40

EIKCD...



Collare distanziatore per intubamenti.

Spacing bracket.



Øe	COD.	A	H
80	EIKCD080	300	40
100	EIKCD100	300	40
120	EIKCD120	300	40
150	EIKCD150	300	40
180	EIKCD180	300	40
200	EIKCD200	300	40
220	EIKCD220	300	40
250	EIKCD250	300	40

Finitura ramata esterna a richiesta
External kopper finish on request



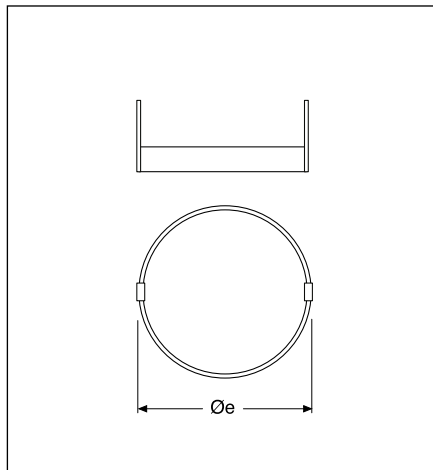
In fase di ordine: considerare sempre il diametro esterno della canna fumaria • When ordering: always consider the outside diameter of the flue chimney

EIKCR...



Collare per ritubazione.

Bracket for re-piping.



Øe	COD.
80	EIKCR080
100	EIKCR100
120	EIKCR120
150	EIKCR150
180	EIKCR180
200	EIKCR200
220	EIKCR220
250	EIKCR250

EIKLUBGN



Lubrificante per guarnizione.

Lubricant for seal.

COD.
EIKLUBGN

