



Edilinox025

RAME • COPPER

**DOPPIA PARETE
DOUBLE WALL**

EdiISO25

RAME • COPPER



SISTEMA DOPPIA PARETE EdiISO25 PARETE ESTERNA RAME

Il sistema **doppia parete EdiISO25 rame** è composto da elementi componibili rigidi con finitura lucida in rame naturale o colorata, realizzati con parete interna in acciaio inox AISI 316L di spessore minimo 0,4 mm e parete esterna in rame naturale o colorata di spessore 0,5 mm, conformi agli standard previsti dalla marcatura CE secondo la normativa EN 1856/1. La coibentazione è realizzata in lana minerale ad alta densità di spessore 25 mm, pressata ed interposta tra le pareti senza elementi di giunzione tra le stesse (ponte termico). Gli elementi modulari hanno innesto classico a bicchiere maschio-femmina calibrato per entrambi le pareti con guarnizione di tenuta a triplice labbro da inserire sulla parete interna, conforme alla normativa europea EN 14241-1, e giunzione meccanica con fascetta di sicurezza.

Riferimento normativo e designazione

Marcatura del prodotto secondo la normativa europea: CE 0476 EN 1856-1.

T200 H1 W V2 L50040* O xx a richiesta
T200 P1 W V2 L50040* O xx con guarnizione
T600 N1 W V2 L50040 O zz / G yy senza guarnizione

* La designazione può variare in funzione della qualità e dello spessore della materia prima come indica la tabella di seguito:

V2 AISI 316L		Vm AISI 304		ISOL.	SPESSORI
EN 1856-1	EDILINOX	EN 1856/1-2	EDILINOX		
L50040	EdiISO25 rame	L20040	EdiISO25 rame	25 mm	0,4 mm
L50050*	EdiISO25 rame	L20050	EdiISO25 rame	25 mm	0,5 mm
L50060*	EdiISO25 rame	L20060	EdiISO25 rame	25 mm	0,6 mm

O xx	T200	O zz	T600	G yy
xx = 30 mm ≈ Ø 80 ÷ 300		zz = 50 mm ≈ Ø 80 ÷ 300		yy = 70 mm ≈ Ø 80 ÷ 300
xx = 45 mm ≈ Ø 350 ÷ 450		zz = 75 mm ≈ Ø 350 ÷ 450		yy = 105 mm ≈ Ø 350 ÷ 450
xx = 60 mm ≈ Ø 500		zz = 100 mm ≈ Ø 500		yy = 140 mm ≈ Ø 500

Utilizzo

Condotti, canali da fumo, camini metallici, esalazioni aria asserviti a generatori di calore di tipo atmosferico, pressurizzato, ad aria soffiata, tradizionali o a condensazione, cappe cucina per uso industriale o domestico, stufe a legna, caminetti, stufe a pellet.

Applicazione

Installazione interna o esterna.

Diametri disponibili - mm

80/130 - 100/150 - 130/180 - 150/200 - 180/230 - 200/250 - 250/300 - 300/350.

350/400 A RICHIESTA.

Disponibile **fino al diametro interno 800 A RICHIESTA.**

DOUBLE WALL EdiISO25 SYSTEM EXTERNAL WALL COPPER

Double wall EdiISO25 copper system is composed by modular rigid elements with surface finish in natural copper or colored, made with the inner wall of stainless steel AISI 316L minimum thickness of 0.4 mm and outer wall in natural copper or colored thickness of 0.5 mm, according to the standards set out by the European CE mark, EN 1856/1. Insulation made of high density mineral wool 25 mm thickness, pressed and interposed between the walls without connecting elements between the same (thermal junction). The modular elements have classic male-female junction calibrated for both sides, with triple seal lip gasket, conforming to European standard EN 14241-1, and mechanical connection with locking clamp.

Normative references and designation

Product marking according to the European standard: CE 0476 EN 1856-1.

T200 H1 W V2 L50040* O xx on request
T200 P1 W V2 L50040* O xx with seal
T600 N1 W V2 L50040 O zz / G yy without seal

* The designation may vary according to the quality and thickness of the raw material, as indicated in the table below:

V2 AISI 316L		Vm AISI 304		INSUL.	THICKNESS
EN 1856-1	EDILINOX	EN 1856/1-2	EDILINOX		
L50040	EdiISO25 copper	L20040	EEdiISO25 copper	25 mm	0.4 mm
L50050*	EdiISO25 copper	L20050	EEdiISO25 copper	25 mm	0.5 mm
L50060*	EdiISO25 copper	L20060	EEdiISO25 copper	25 mm	0.6 mm

O xx	T200	O zz	T600	G yy
xx = 30 mm ≈ Ø 80 ÷ 300		zz = 50 mm ≈ Ø 80 ÷ 300		yy = 70 mm ≈ Ø 80 ÷ 300
xx = 45 mm ≈ Ø 350 ÷ 450		zz = 75 mm ≈ Ø 350 ÷ 450		yy = 105 mm ≈ Ø 350 ÷ 450
xx = 60 mm ≈ Ø 500		zz = 100 mm ≈ Ø 500		yy = 140 mm ≈ Ø 500

Utilizations

Ducts, flue pipes, metal chimneys, air conduction subservient to atmospheric heat generators, pressurized, air blown, traditional or condensing, industrial or domestic kitchen hoods, wood stoves, fireplaces, pellet stoves.

Application

Internal or external installation.

Available diameters - mm

80/130 - 100/150 - 130/180 - 150/200 - 180/230 - 200/250 - 250/300 - 300/350.

350/400 ON REQUEST.

Available **internal diameter up to 800 ON REQUEST.**

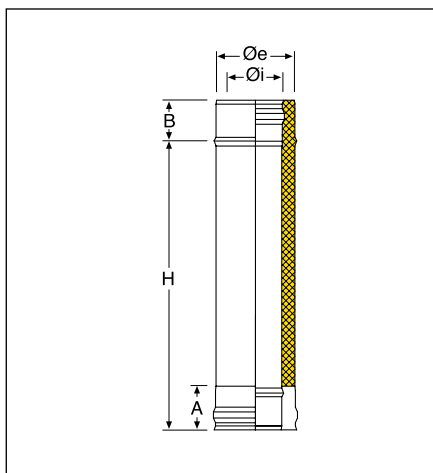
DOPPIA PARETE - DOUBLE WALL AISI 316L

EIKRTDP1C...



Elemento lineare da 1 m.

Pipe 1 m.



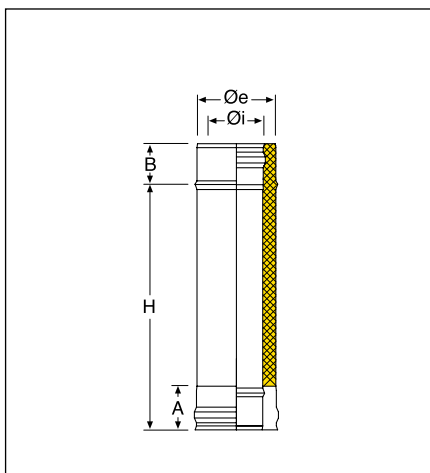
Øi	Øe	COD.	A	B	H
80	130	EIKRTDP1C080	65	54	940
100	150	EIKRTDP1C100	65	54	940
130	180	EIKRTDP1C130	65	54	940
150	200	EIKRTDP1C150	65	54	940
180	230	EIKRTDP1C180	65	54	940
200	250	EIKRTDP1C200	65	54	940
250	300	EIKRTDP1C250	65	54	940
300	350	EIKRTDP1C300	65	54	940
350	400	EIKRTDP1C350	65	54	940

EIKRTDP5C...



Elemento lineare da 0,50 m.

Pipe 0.50 m.



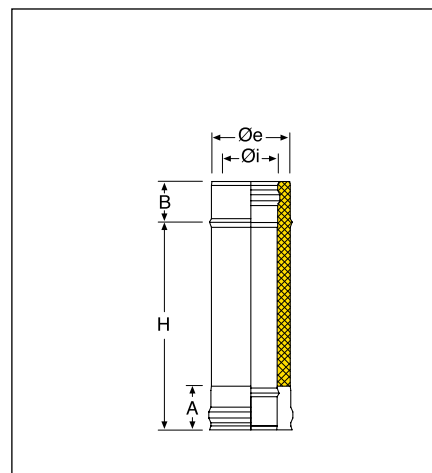
Øi	Øe	COD.	A	B	H
80	130	EIKRTDP5C080	65	54	440
100	150	EIKRTDP5C100	65	54	440
130	180	EIKRTDP5C130	65	54	440
150	200	EIKRTDP5C150	65	54	440
180	230	EIKRTDP5C180	65	54	440
200	250	EIKRTDP5C200	65	54	440
250	300	EIKRTDP5C250	65	54	440
300	350	EIKRTDP5C300	65	54	440
350	400	EIKRTDP5C350	65	54	440

EIKRTDP2C...



Elemento lineare da 0,33 m.

Pipe 0.33 m.



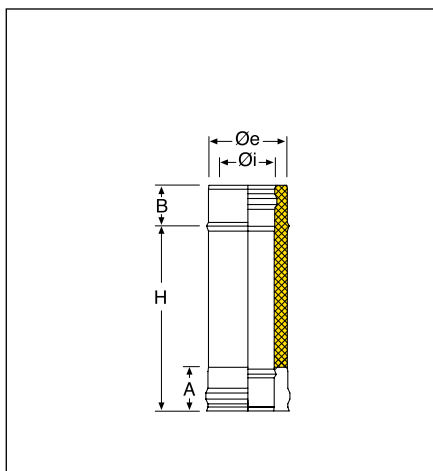
Øi	Øe	COD.	A	B	H
80	130	EIKRTDP2C080	65	54	270
100	150	EIKRTDP2C100	65	54	270
130	180	EIKRTDP2C130	65	54	270
150	200	EIKRTDP2C150	65	54	270
180	230	EIKRTDP2C180	65	54	270
200	250	EIKRTDP2C200	65	54	270
250	300	EIKRTDP2C250	65	54	270
300	350	EIKRTDP2C300	65	54	270
350	400	EIKRTDP2C350	65	54	270

EIKRTDP25C...



Elemento lineare da 0,25 m.

Pipe 0.25 m.



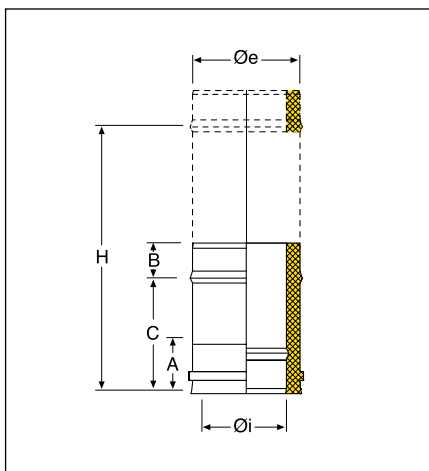
Øi	Øe	COD.	A	B	H
80	130	EIKRTDP25C080	65	54	940
100	150	EIKRTDP25C100	65	54	940
130	180	EIKRTDP25C130	65	54	940
150	200	EIKRTDP25C150	65	54	940
180	230	EIKRTDP25C180	65	54	940
200	250	EIKRTDP25C200	65	54	940
250	300	EIKRTDP25C250	65	54	940
300	350	EIKRTDP25C300	65	54	940
350	400	EIKRTDP25C350	65	54	940

EIKRETP4C...



Elemento telescopico.

Adjustable pipe.



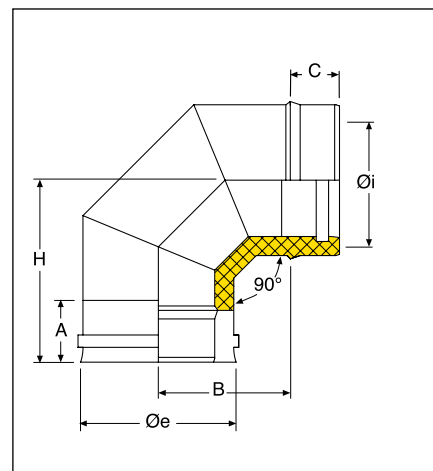
Øi	Øe	COD.	A	B	C	H
80	130	EIKRETP4C080	65	54	260	390
100	150	EIKRETP4C100	65	54	260	390
130	180	EIKRETP4C130	65	54	260	390
150	200	EIKRETP4C150	65	54	260	390
180	230	EIKRETP4C180	65	54	260	390
200	250	EIKRETP4C200	65	54	260	390
250	300	EIKRETP4C250	65	54	260	390
300	350	EIKRETP4C300	65	54	260	390
350	400	EIKRETP4C350	65	54	260	390

EIKRGDP90C...



Curva a 90°.

Elbow 90°.



Øi	Øe	COD.	A	B	C	H
80	130	EIKRGDP90C080	65	100	54	160
100	150	EIKRGDP90C100	65	120	54	180
130	180	EIKRGDP90C130	65	130	54	190
150	200	EIKRGDP90C150	65	140	54	200
180	230	EIKRGDP90C180	65	155	54	215
200	250	EIKRGDP90C200	65	165	54	225
250	300	EIKRGDP90C250	65	190	54	250
300	350	EIKRGDP90C300	65	215	54	275
350	400	EIKRGDP90C350	#	#	#	#

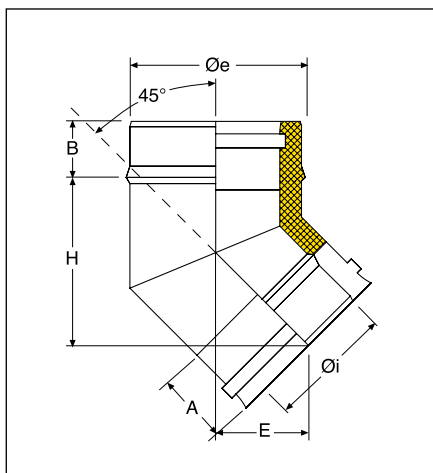
DOPPIA PARETE - DOUBLE WALL AISI 316L

EIKRGDP45C...



Curva a 45°.

Elbow 45°.



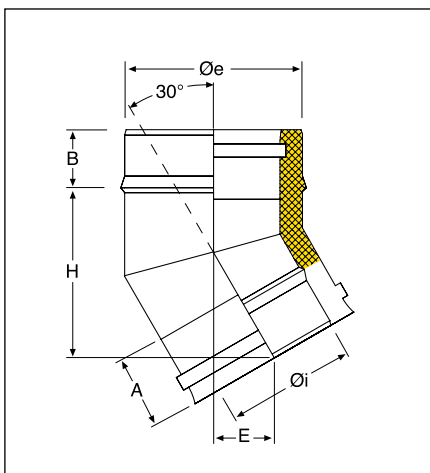
Øi	Øe	COD.	A	B	E	H
80	130	EIKRGDP45C080	65	54	72	119
100	150	EIKRGDP45C100	65	54	75	126
130	180	EIKRGDP45C130	65	54	79	137
150	200	EIKRGDP45C150	65	54	82	143
180	230	EIKRGDP45C180	65	54	88	160
200	250	EIKRGDP45C200	65	54	91	164
250	300	EIKRGDP45C250	65	54	98	184
300	350	EIKRGDP45C300	65	54	105	197
350	400	EIKRGDP45C350	65	54	114	215

EIKRGDP30C...



Curva a 30°.

Elbow 30°.



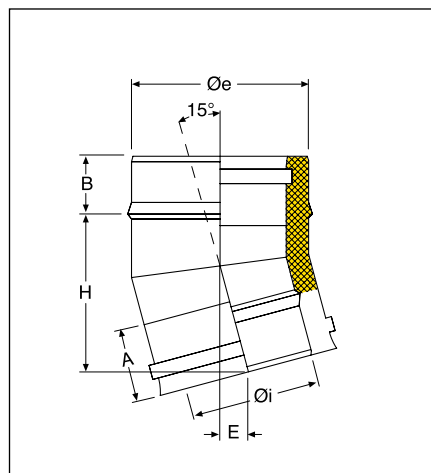
Øi	Øe	COD.	A	B	E	H
80	130	EIKRGDP30C080	65	54	46	119
100	150	EIKRGDP30C100	65	54	48	122
130	180	EIKRGDP30C130	65	54	51	130
150	200	EIKRGDP30C150	65	54	51	135
180	230	EIKRGDP30C180	65	54	53	142
200	250	EIKRGDP30C200	65	54	54	147
250	300	EIKRGDP30C250	65	54	57	160
300	350	EIKRGDP30C300	65	54	60	172
350	400	EIKRGDP30C350	65	54	63	184

EIKRGDP15C...



Curva a 15°.

Elbow 15°.



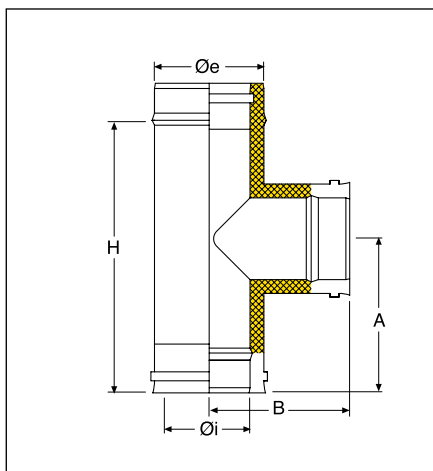
Øi	Øe	COD.	A	B	C	H
80	130	EIKRGDP15C080	65	54	23	112
100	150	EIKRGDP15C100	65	54	23	115
130	180	EIKRGDP15C130	65	54	23	119
150	200	EIKRGDP15C150	65	54	24	121
180	230	EIKRGDP15C180	65	54	25	125
200	250	EIKRGDP15C200	65	54	24	128
250	300	EIKRGDP15C250	65	54	25	134
300	350	EIKRGDP15C300	65	54	26	141
350	400	EIKRGDP15C350	65	54	27	147

EIKRRTDPC...



Raccordo a "T" 90°.

90° tee.



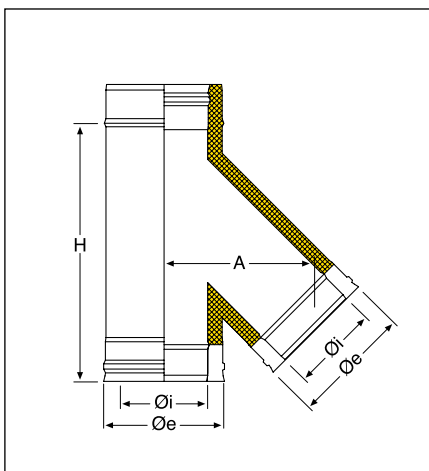
Øi	Øe	COD.	A	B	H
80	130	EIKRRTDPCB080	162	140	270
100	150	EIKRRTDPCB100	162	150	270
130	180	EIKRRTDPC130	242	165	440
150	200	EIKRRTDPC150	242	175	440
180	230	EIKRRTDPC180	242	190	440
200	250	EIKRRTDPC200	242	200	440
250	300	EIKRRTDPC250	242	225	440
300	350	EIKRRTDPC300	267	250	490
350	400	EIKRRTDPC350	322	275	588

EIKRRTIC...



Raccordo a "T" 45°.

45° tee.



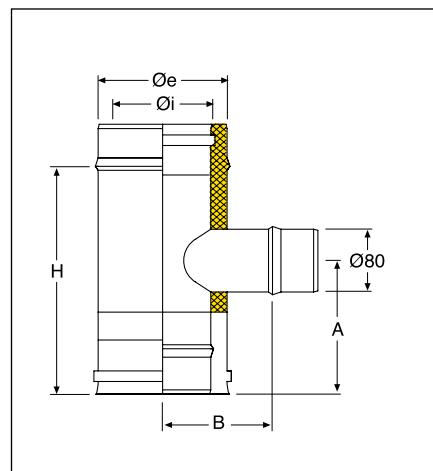
Øi	Øe	COD.	A	H
80	130	EIKRRTIC080	196	350
100	150	EIKRRTIC100	215	390
130	180	EIKRRTIC130	241	390
150	200	EIKRRTIC150	258	440
180	230	EIKRRTIC180	273	470
200	250	EIKRRTIC200	300	515
250	300	EIKRRTIC250	344	560
300	350	EIKRRTIC300	386	640
350	400	EIKRRTIC350	496	883

EIKRRTPCU...



Raccordo a "T" 90° uscita monoparete ridotta a Ø 80 mm.

Tee 90° reduced Ø 80 mm single wall.



Øi	Øe	COD.	A	B	H
80	130	EIKRRTDPCU080	123	90	190
100	150	EIKRRTDPCU100	123	100	190
130	180	EIKRRTDPCU130	123	115	190
150	200	EIKRRTDPCU150	123	125	190
180	230	EIKRRTDPCU180	123	140	190
200	250	EIKRRTDPCU200	123	150	190
250	300	EIKRRTDPCU250	123	175	190
300	350	EIKRRTDPCU300	123	200	190

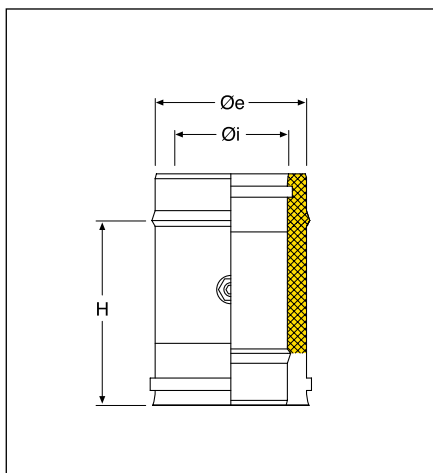
DOPPIA PARETE - DOUBLE WALL AISI 316L

EIKRPFDP...



Elemento per prelievo fumi.

Fumes test section with threaded sleeve.



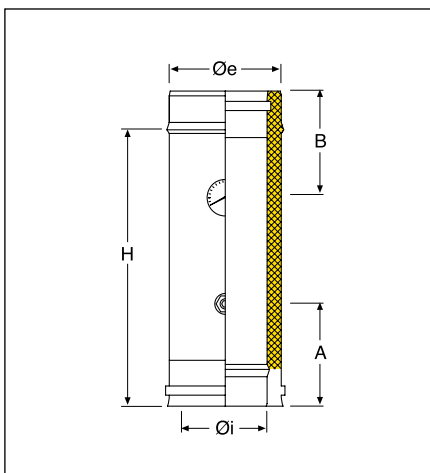
Øi	Øe	COD.	H
80	130	EIKRPFDP080	190
100	150	EIKRPFDP100	190
130	180	EIKRPFDP130	190
150	200	EIKRPFDP150	190
180	230	EIKRPFDP180	190
200	250	EIKRPFDP200	190
250	300	EIKRPFDP250	190
300	350	EIKRPFDP300	190
350	400	EIKRPFDP350	190

EIKRPFTDP...



Elemento per prelievo fumi e temperatura.

Element for smoke and temperature.



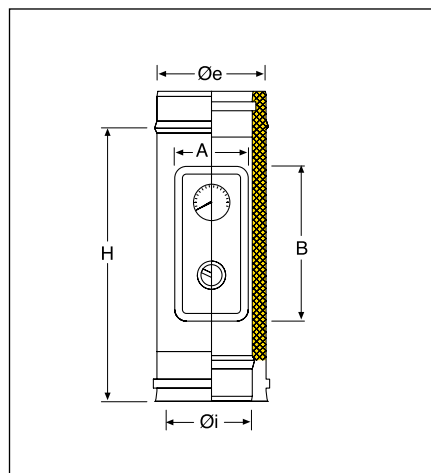
Øi	Øe	COD.	A	B	H
80	130	EIKRPFTDP080	160	160	440
100	150	EIKRPFTDP100	160	160	440
130	180	EIKRPFTDP130	160	160	440
150	200	EIKRPFTDP150	160	160	440
180	230	EIKRPFTDP180	160	160	440
200	250	EIKRPFTDP200	160	160	440
250	300	EIKRPFTDP250	160	160	440
300	350	EIKRPFTDP300	160	160	440
350	400	EIKRPFTDP350	160	160	440

EIKRTMCFC...



Elemento per prelievo fumi e temperatura con piastra.

Element with plate for smoke and temperature.



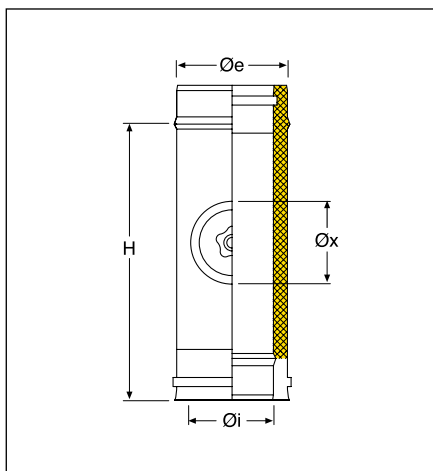
Øi	Øe	COD.	A	B	H
80	130	EIKRTMCFC080	113	190	440
100	150	EIKRTMCFC100	113	190	440
130	180	EIKRTMCFC130	113	190	440
150	200	EIKRTMCFC150	113	190	440
180	230	EIKRTMCFC180	113	190	440
200	250	EIKRTMCFC200	113	190	440
250	300	EIKRTMCFC250	185	280	440
300	350	EIKRTMCFC300	185	280	440
350	400	EIKRTMCFC350	185	280	440

EIKRTSIDPC...



Elemento con portello tondo per ispezione T 200°.

Inspection element with round test point T 200°.



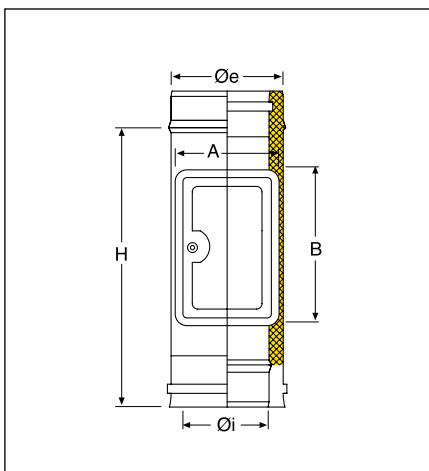
Øi	Øe	COD.	Øx	H
80	130	EIKRTSIDPC080	80	270
100	150	EIKRTSIDPC100	100	270
130	180	EIKRTSIDPC130	130	270
150	200	EIKRTSIDPC150	150	270
180	230	EIKRTSIDPC180	180	440
200	250	EIKRTSIDPC200	200	440
250	300	EIKRTSIDPC250	200	440
300	350	EIKRTSIDPC300	200	440
350	400	EIKRTSIDPC350	200	440

EIKRDPERC...



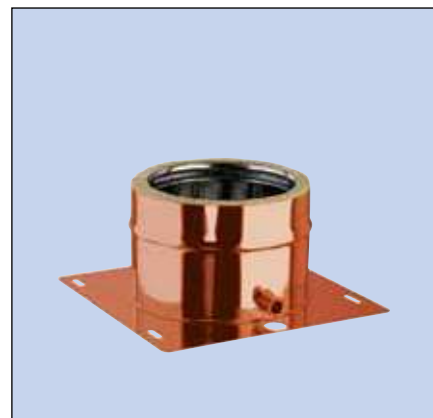
Elemento per raccolta cenere con ispezione rettangolare.

Ash collection element with rectangular door.



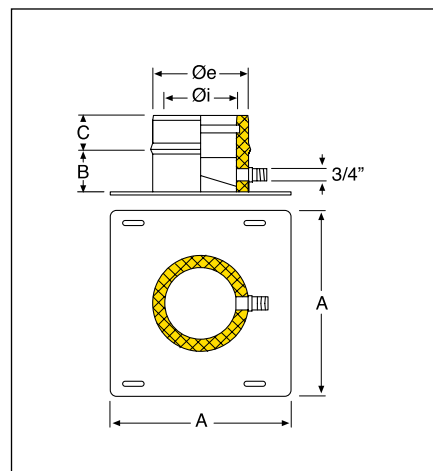
Øi	Øe	COD.	A	B	H
80	130	EIKRDPERC080	113	190	440
100	150	EIKRDPERC100	113	190	440
130	180	EIKRDPERC130	113	190	440
150	200	EIKRDPERC150	113	190	440
180	230	EIKRDPERC180	113	190	440
200	250	EIKRDPERC200	113	190	440
250	300	EIKRDPERC250	185	280	440
300	350	EIKRDPERC300	185	280	440
350	400	EIKRDPERC350	185	280	440

EIKRPIASTRC...



Piastra di partenza con scarico laterale.

Base plate with drain plug.



Øi	Øe	COD.	A	B	C
80	130	EIKRPIASTRC080	230	100	54
100	150	EIKRPIASTRC100	250	100	54
130	180	EIKRPIASTRC130	280	100	54
150	200	EIKRPIASTRC150	300	100	54
180	230	EIKRPIASTRC180	330	100	54
200	250	EIKRPIASTRC200	350	100	54
250	300	EIKRPIASTRC250	400	100	54
300	350	EIKRPIASTRC300	450	100	54
350	400	EIKRPIASTRC350	500	100	54

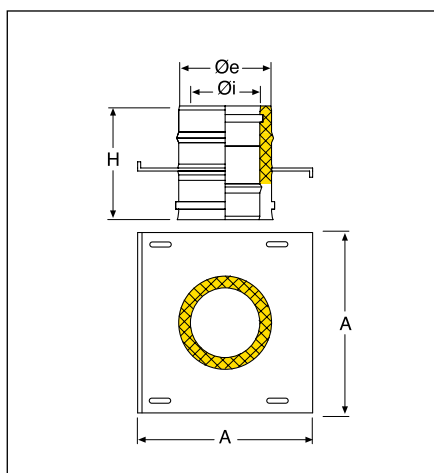
DOPPIA PARETE - DOUBLE WALL AISI 316L

EIKRPIASIC...



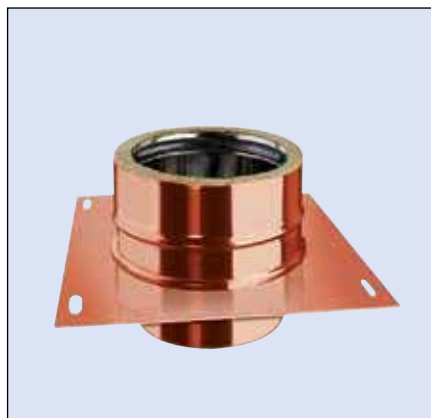
Piastra intermedia.

Intermediate anchor plate.



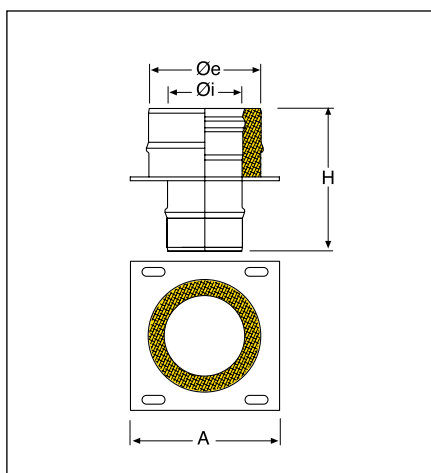
Øi	Øe	COD.	A	H
80	130	EIKRPIASIC080	230	190
100	150	EIKRPIASIC100	250	190
130	180	EIKRPIASIC130	280	190
150	200	EIKRPIASIC150	300	190
180	230	EIKRPIASIC180	330	190
200	250	EIKRPIASIC200	350	190
250	300	EIKRPIASIC250	400	190
300	350	EIKRPIASIC300	450	190
350	400	EIKRPIASIC350	500	190

EIKRPIASICDM... *



Piastra intermedia mono - doppia.

Intermediate anchor plate single - double.



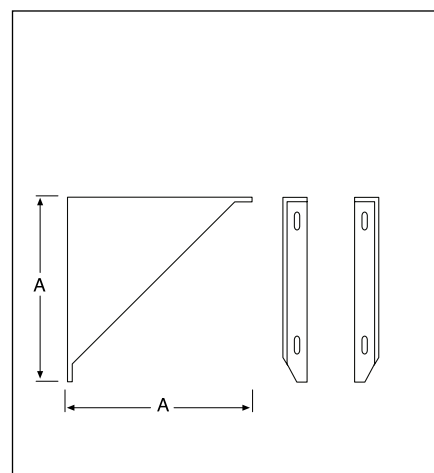
Øi	Øe	COD.	A	H
80	130	EIKRPIASICDM080	180	190
100	150	EIKRPIASICDM100	200	190
130	180	EIKRPIASICDM130	230	190
150	200	EIKRPIASICDM150	250	190
180	230	EIKRPIASICDM180	280	190
200	250	EIKRPIASICDM200	300	190
250	300	EIKRPIASICDM250	350	190
300	350	EIKRPIASICDM300	400	190
350	400	EIKRPIASICDM350	450	190

EIKRCSDP...



Coppia di supporti per piastra.

Cantilever brackets (pair).



Øi	Øe	COD.	A
80	130	EIKRCSDP080	230
100	150	EIKRCSDP100	250
130	180	EIKRCSDP130	280
150	200	EIKRCSDP150	300
180	230	EIKRCSDP180	330
200	250	EIKRCSDP200	350
250	300	EIKRCSDP250	400
300	350	EIKRCSDP300	450
350	400	EIKRCSDP350	500

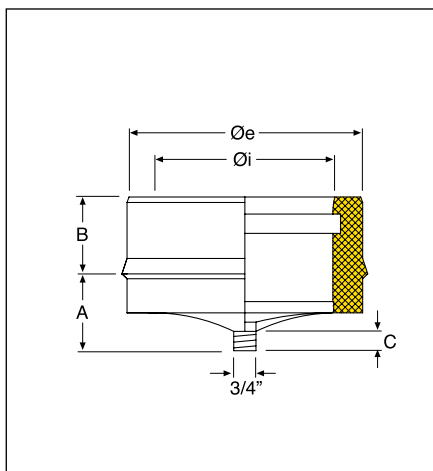
* A richiesta
On request

EIKRTAPDP4C...



Scarico condensa.

Tee cap with condense drain.



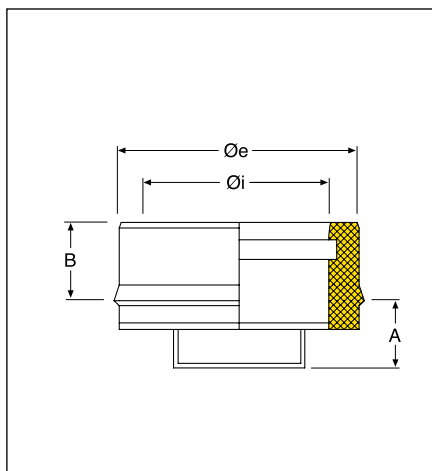
Øi	Øe	COD.	A	B	C
80	130	EIKRTAPDP4C080	65	54	12
100	150	EIKRTAPDP4C100	65	54	12
130	180	EIKRTAPDP4C130	65	54	12
150	200	EIKRTAPDP4C150	65	54	12
180	230	EIKRTAPDP4C180	65	54	12
200	250	EIKRTAPDP4C200	65	54	12
250	300	EIKRTAPDP4C250	65	54	12
300	350	EIKRTAPDP4C300	65	54	12
350	400	EIKRTAPDP4C350	65	54	12

EIKRTCDP...



Tappo cieco.

Tee cap.



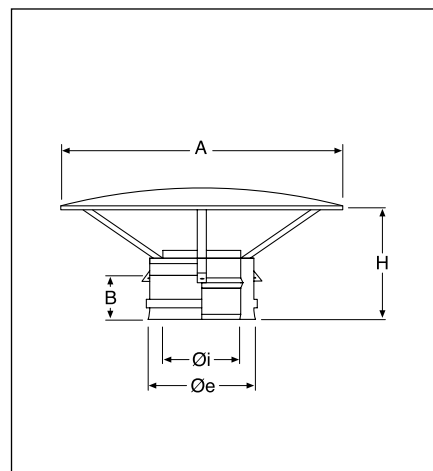
Øi	Øe	COD.	A	B
80	130	EIKRTCDP080	55	54
100	150	EIKRTCDP100	55	54
130	180	EIKRTCDP130	55	54
150	200	EIKRTCDP150	55	54
180	230	EIKRTCDP180	55	54
200	250	EIKRTCDP200	55	54
250	300	EIKRTCDP250	55	54
300	350	EIKRTCDP300	55	54
350	400	EIKRTCDP350	55	54

EIKRCCDPC...



Cappello cinese.

Rain cap.



Øi	Øe	COD.	A	B	H
80	130	EIKRCCDPC080	265	65	200
100	150	EIKRCCDPC100	265	65	210
130	180	EIKRCCDPC130	320	65	225
150	200	EIKRCCDPC150	320	65	235
180	230	EIKRCCDPC180	400	65	255
200	250	EIKRCCDPC200	400	65	260
250	300	EIKRCCDPC250	500	65	285
300	350	EIKRCCDPC300	600	65	310
350	400	EIKRCCDPC350	720	65	310

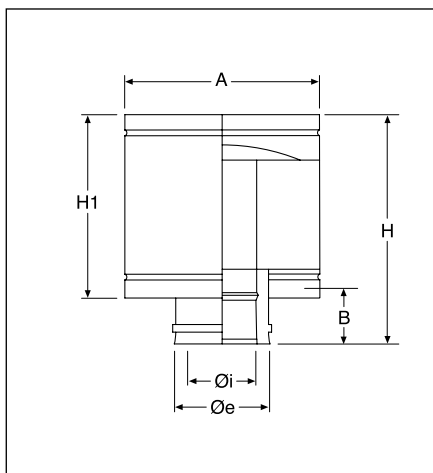
DOPPIA PARETE - DOUBLE WALL AISI 316L

EIKRTADPC...



Terminale anti intemperie.

Anti draught terminal.



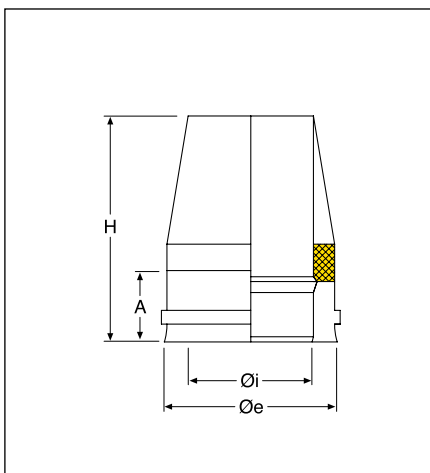
Øi	Øe	COD.	A	B	H	H1
80	130	EIKRTADPC080	220	65	240	165
100	150	EIKRTADPC100	260	65	260	200
130	180	EIKRTADPC130	300	65	280	200
150	200	EIKRTADPC150	310	65	320	250
180	230	EIKRTADPC180	370	65	340	250
200	250	EIKRTADPC200	420	65	340	250
250	300	EIKRTADPC250	470	65	400	310
300	350	EIKRTADPC300	530	65	400	310
350	400	EIKRTADPC350	800	65	420	330

EIKRTTCDPC...



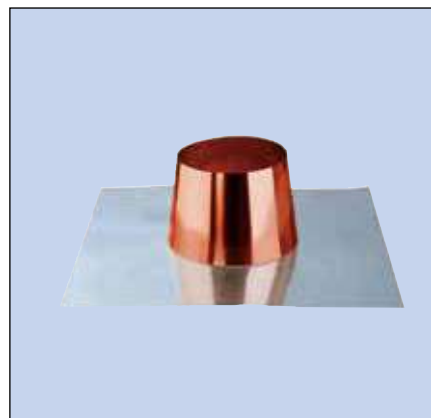
Terminale tronco conico.

Venturi cone terminal.



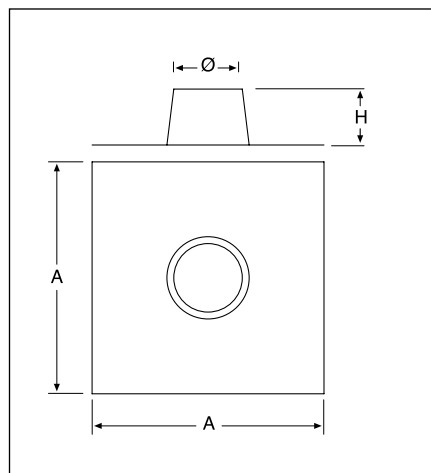
Øi	Øe	COD.	A	H
80	130	EIKRTTCDPC080	65	200
100	150	EIKRTTCDPC100	65	200
130	180	EIKRTTCDPC130	65	200
150	200	EIKRTTCDPC150	65	200
180	230	EIKRTTCDPC180	65	200
200	250	EIKRTTCDPC200	65	200
250	300	EIKRTTCDPC250	65	200
300	350	EIKRTTCDPC300	65	200
350	400	EIKRTTCDPC350	65	290

EIKRFALDPCAL...



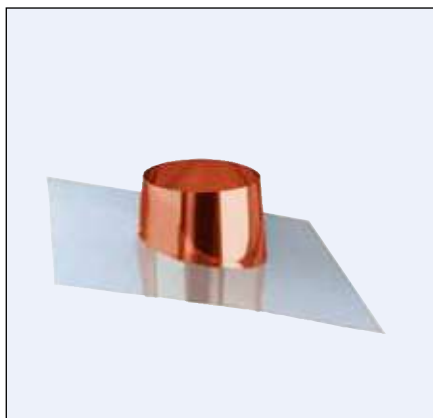
Faldale piano con base in alluminio.

Flat flashing with aluminum base.

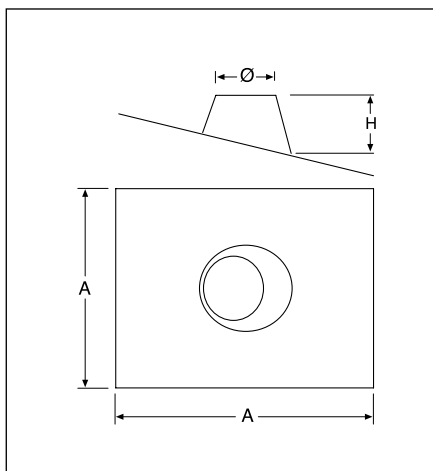


Øi	Øe	COD.	A	H
80	130	EIKRFALDPCAL080	400	150
100	150	EIKRFALDPCAL100	500	150
130	180	EIKRFALDPCAL130	500	170
150	200	EIKRFALDPCAL150	600	180
180	230	EIKRFALDPCAL180	600	210
200	250	EIKRFALDPCAL200	600	210
250	300	EIKRFALDPCAL250	600	230
300	350	EIKRFALDPCAL300	680	230
350	400	EIKRFALDPCAL350	700	200

EIKRFALDR5CAL...



Faldale regolabile da 5° a 30° con base in alluminio. ●
Adjustable flashing from 5° to 30° with aluminum base.

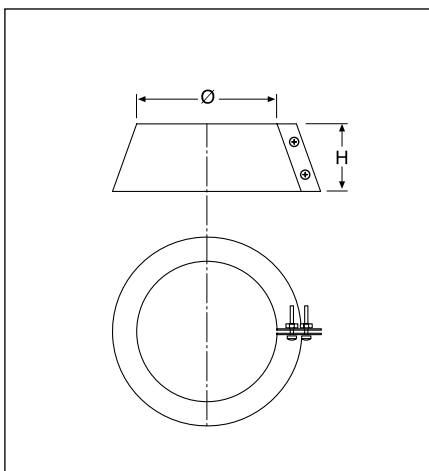


Øi	Øe	COD.	A	H
80	130	EIKRFALDR5CAL08	400	150
100	150	EIKRFALDR5CAL10	500	150
130	180	EIKRFALDR5CAL13	500	170
150	200	EIKRFALDR5CAL15	600	180
180	230	EIKRFALDR5CAL18	600	210
200	250	EIKRFALDR5CAL20	600	210
250	300	EIKRFALDR5CAL25	600	230
300	350	EIKRFALDR5CAL30	680	230
350	400	EIKRFALDR5CAL35	700	200

EIKRFASCAC...



Fascetta anti intemperie.
Storm collar.

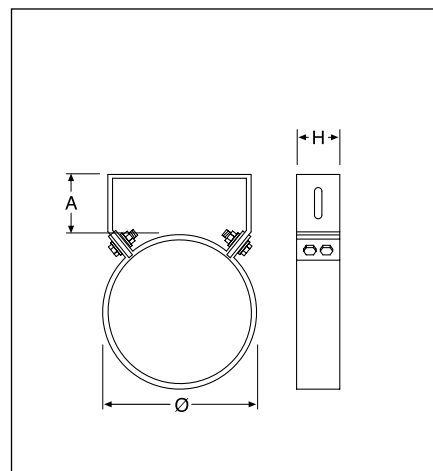


Øi	Øe	COD.	A
80	130	EIKRFASCAC080	100
100	150	EIKRFASCAC100	100
130	180	EIKRFASCAC130	100
150	200	EIKRFASCAC150	100
180	230	EIKRFASCAC180	100
200	250	EIKRFASCAC200	100
250	300	EIKRFASCAC250	100
300	350	EIKRFASCAC300	100
350	400	EIKRFASCAC350	100

EIKRCOLC...



Collare a muro.
Wall bracket.



Øi	Øe	COD.	A	H
80	130	EIKRCOLC080	50	40
100	150	EIKRCOLC100	50	40
130	180	EIKRCOLC130	50	40
150	200	EIKRCOLC150	50	40
180	230	EIKRCOLC180	50	40
200	250	EIKRCOLC200	50	40
250	300	EIKRCOLC250	50	40
300	350	EIKRCOLC300	50	40
350	400	EIKRCOLC350	50	40

● Faldale regolabile da 30° a 45° con base in alluminio A RICHIESTA.
Adjustable flashing from 30° to 45° with aluminum base ON REQUEST.

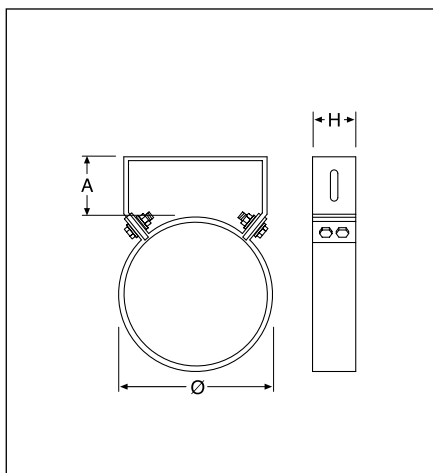
DOPPIA PARETE - DOUBLE WALL AISI 316L

EIKRCOLCREG...



Collare a muro regolabile da 50 a 100 mm.

Wall bracket adjustable from 50 to 100 mm.



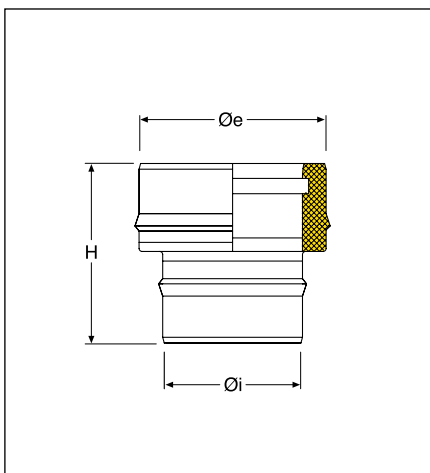
Øi	Øe	COD.	A	H
80	130	EIKRCOLCREG080	50-100	40
100	150	EIKRCOLCREG100	50-100	40
130	180	EIKRCOLCREG130	50-100	40
150	200	EIKRCOLCREG150	50-100	40
180	230	EIKRCOLCREG180	50-100	40
200	250	EIKRCOLCREG200	50-100	40
250	300	EIKRCOLCREG250	50-100	40
300	350	EIKRCOLCREG300	50-100	40
350	400	EIKRCOLCREG350	50-100	40

EIKRRCIDP...



Raccordo ingresso mono - doppia (raccordo per caldaia).

Adaptor from single to double wall (boiler adaptor).



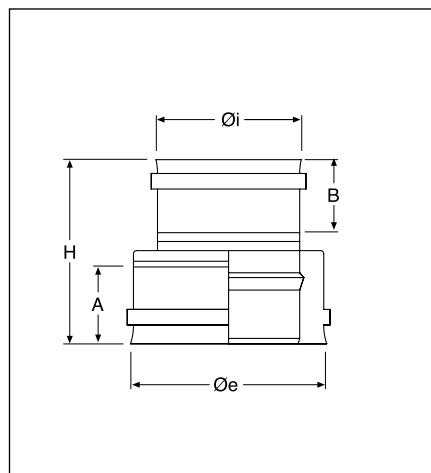
Øi	Øe	COD.	H
80	130	EIKRRCIDP080	160
100	150	EIKRRCIDP100	160
130	180	EIKRRCIDP130	160
150	200	EIKRRCIDP150	160
180	230	EIKRRCIDP180	160
200	250	EIKRRCIDP200	160
250	300	EIKRRCIDP250	160
300	350	EIKRRCIDP300	160
350	400	EIKRRCIDP350	160

EIKRGIUDMC...



Raccordo uscita doppia - mono.

Adaptor from double to single wall.



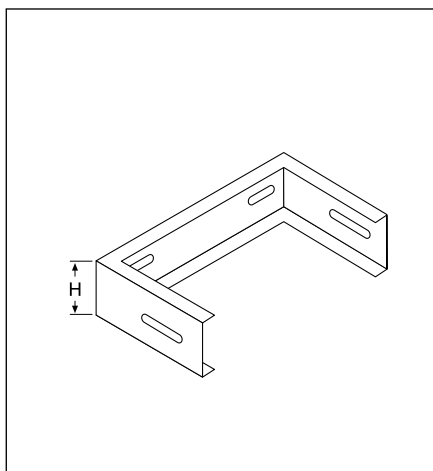
Øi	Øe	COD.	A	B	H
80	130	EIKRGIUDMC080	65	65	160
100	150	EIKRGIUDMC100	65	65	160
130	180	EIKRGIUDMC130	65	65	160
150	200	EIKRGIUDMC150	65	65	160
180	230	EIKRGIUDMC180	65	65	160
200	250	EIKRGIUDMC200	65	65	160
250	300	EIKRGIUDMC250	65	65	160
300	350	EIKRGIUDMC300	65	65	160
350	400	EIKRGIUDMC350	65	65	160

EIKRDISC...



Distanziale per collare a muro.

Extension for wall bracket single wall.



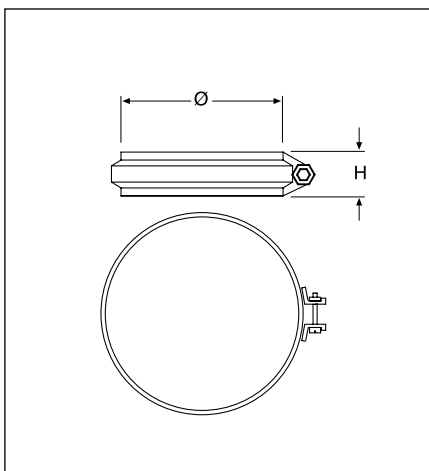
Øi	Øe	COD.	H
80	130	EIKRDISC080	40
100	150	EIKRDISC100	40
130	180	EIKRDISC130	40
150	200	EIKRDISC150	40
180	230	EIKRDISC180	40
200	250	EIKRDISC200	40
250	300	EIKRDISC250	40
300	350	EIKRDISC300	40
350	400	EIKRDISC350	100

EIKRFASDC...



Fascetta di sicurezza.

Locking band.



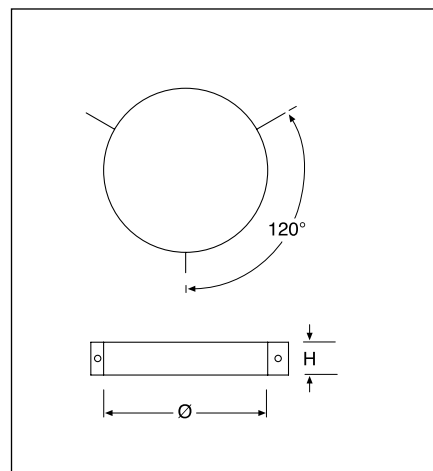
Øi	Øe	COD.	H
80	130	EIKRFASDC080	30
100	150	EIKRFASDC100	30
130	180	EIKRFASDC130	30
150	200	EIKRFASDC150	30
180	230	EIKRFASDC180	30
200	250	EIKRFASDC200	30
250	300	EIKRFASDC250	30
300	350	EIKRFASDC300	30
350	400	EIKRFASDC350	30

EIKRCOLTC...



Collare per cavi tiranti.

Guy wire bracket.



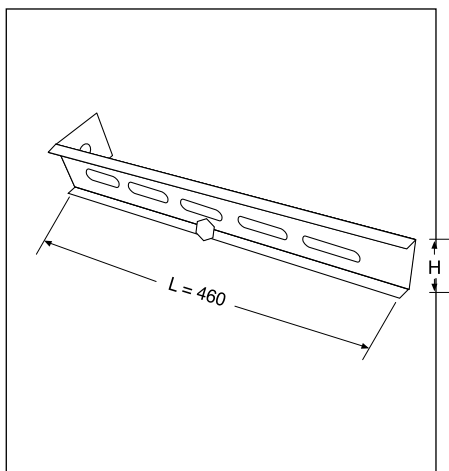
Øi	Øe	COD.	H
80	130	EIKRCOLTC080	40
100	150	EIKRCOLTC100	40
130	180	EIKRCOLTC130	40
150	200	EIKRCOLTC150	40
180	230	EIKRCOLTC180	40
200	250	EIKRCOLTC200	40
250	300	EIKRCOLTC250	40
300	350	EIKRCOLTC300	40
350	400	EIKRCOLTC350	40

DOPPIA PARETE - DOUBLE WALL AISI 316L

EIKRDISC46 *



Distanziale universale per collare a muro (coppia) L = 460 mm. Compreso di bulloneria.
 Universal distance piece for wall bracket (pair) L = 460 mm. Including bolts.

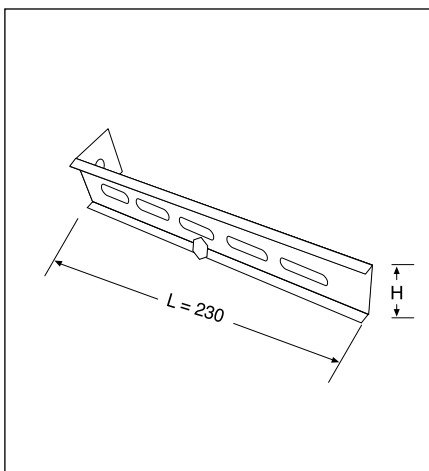


Øi	Øe	COD.	H
80	130	EIKRDISC46	40
100	150	EIKRDISC46	40
130	180	EIKRDISC46	40
150	200	EIKRDISC46	40
180	230	EIKRDISC46	40
200	250	EIKRDISC46	40
250	300	EIKRDISC46	40
300	350	EIKRDISC46	40

EIKRDCMRC *



Distanziale universale per collare a muro (coppia) L = 230 mm. Compreso di bulloneria.
 Universal distance piece for wall bracket (pair) L = 230 mm. Including bolts.

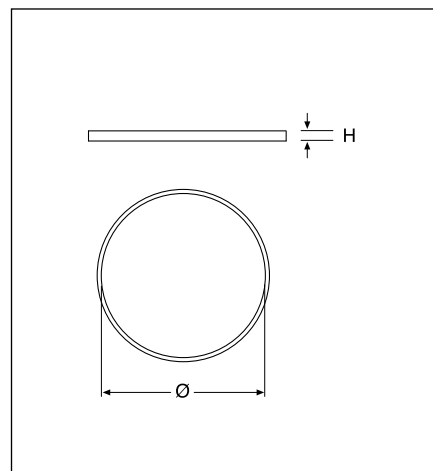


Øi	Øe	COD.	H
80	130	EIKRDCMRC	40
100	150	EIKRDCMRC	40
130	180	EIKRDCMRC	40
150	200	EIKRDCMRC	40
180	230	EIKRDCMRC	40
200	250	EIKRDCMRC	40
250	300	EIKRDCMRC	40
300	350	EIKRDCMRC	40

EIK1GN...



Guarnizione di tenuta in silicone nero.
 Silicon black seal.

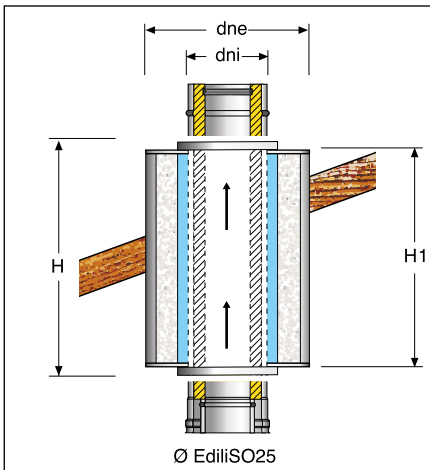


Øi	COD.	H
80	EIK1GN080	10
100	EIK1GN100	10
130	EIK1GN130	10
150	EIK1GN150	10
180	EIK1GN180	10
200	EIK1GN200	10
250	EIK1GN250	10
300	EIK1GN300	10

EIKRT1AT..



Accessorio passaggio a tetto per canna fumaria passante in EdilISO25 - h 1000 mm.
Roof passing-through element for EdilISO25 - h 1000 mm.

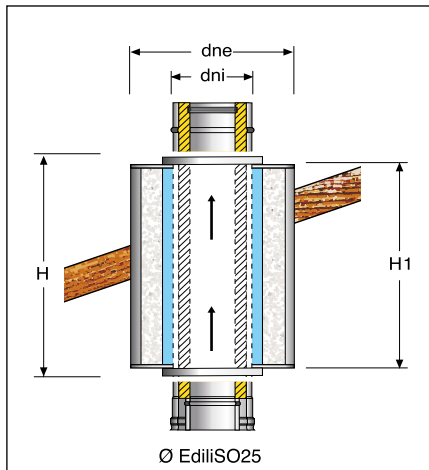


Ø EdilISO25	COD.	dni	dne	H	H1
80 130	EIKRT1AT080	150	300	1000	950
100 150	EIKRT1AT100	170	300	1000	950
130 180	EIKRT1AT130	200	350	1000	950
150 200	EIKRT1AT150	220	350	1000	950
180 230	EIKRT1AT180	250	400	1000	950
200 250	EIKRT1AT200	270	400	1000	950
250 300	EIKRT1AT250	320	450	1000	950
300 350	EIKRT1AT300	370	500	1000	950

EIKRTDPT...



Accessorio passaggio a tetto per canna fumaria passante in EdilISO25 - h 650 mm.
Roof passing-through element for EdilISO25 - h 650 mm.

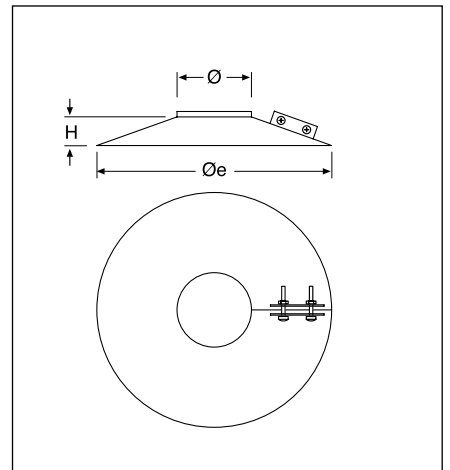


Ø EdilISO25	COD.	dni	dne	H	H1
80 130	EIKRTDPT080	150	300	650	600
100 150	EIKRTDPT100	170	300	650	600
130 180	EIKRTDPT130	200	350	650	600
150 200	EIKRTDPT150	220	350	650	600
180 230	EIKRTDPT180	250	400	650	600
200 250	EIKRTDPT200	270	400	650	600
250 300	EIKRTDPT250	320	450	650	600
300 350	EIKRTDPT300	370	500	650	600

EIKRFASCATTR...



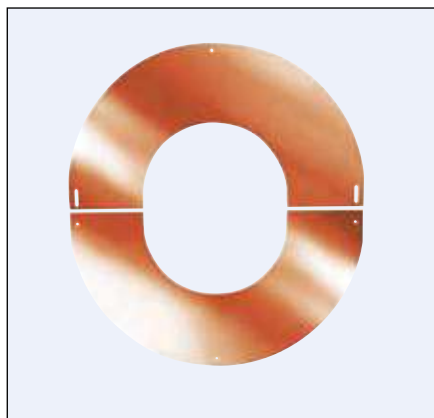
Fascetta anti intemperie per passaggio a tetto.
Storm collar for roof passing-through element.



Øi	Øe	COD.	Ø	Øe	H
80	130	EIKRFASCATTR080	130	450	20
100	150	EIKRFASCATTR100	150	450	20
130	180	EIKRFASCATTR130	180	500	20
150	200	EIKRFASCATTR150	200	500	20
180	230	EIKRFASCATTR180	230	550	20
200	250	EIKRFASCATTR200	250	550	20
250	300	EIKRFASCATTR250	300	600	20
300	350	EIKRFASCATTR300	350	650	20

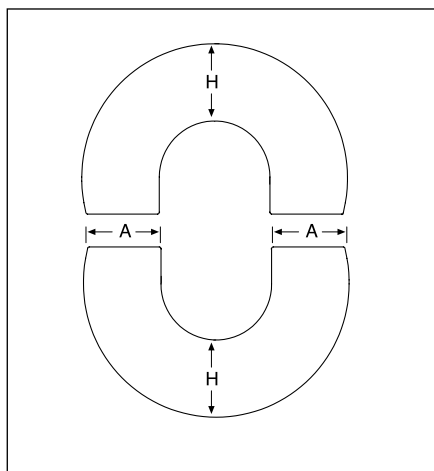
DOPPIA PARETE - DOUBLE WALL AISI 316L

TATR1030PC...



Piastra di finitura regolabile da 10° a 30° per passaggio a tetto.

Adjustable plate from 10° to 30° for roof passing-through element.



Øi	Øe	COD.	A	H
80	130	TATR1030PC0813	127	140
100	150	TATR1030PC1015	127	140
130	180	TATR1030PC1318	127	140
150	200	TATR1030PC1520	127	140
180	230	TATR1030PC1823	127	140
200	250	TATR1030PC2025	127	140
250	300	TATR1030PC2530	127	140
300	350	TATR1030PC3035	127	140

EIKLUBGN



Lubrificante per guarnizione.

Lubricant for seal.

COD.
EIKLUBGN

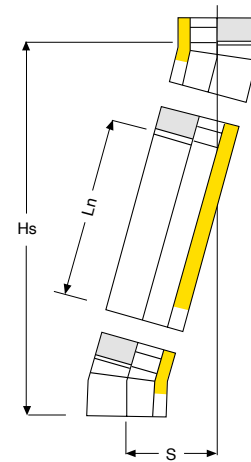
DISASSAMENTO - CENTER OFFSET

DISASSAMENTO CON DOPPIA CURVA 15°

CENTER OFFSET WITH DOUBLE 15° ELBOW

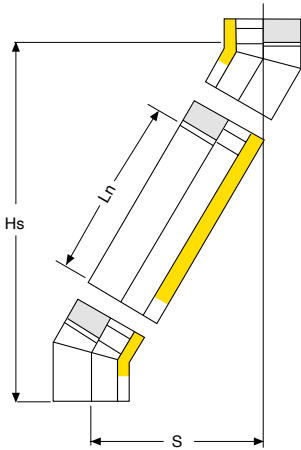
DOPPIA PARETE DOUBLE WALL EdilISO25 Ø	0 m		0,25 m		0,33 m		0,50 m		1 m	
	S ₀	H ₀	S	H _s	S	H _s	S	H _s	S	H _s
80	30	227	78	409	98	486	140	649	265	1129
100	31	232	79	414	99	491	141	654	266	1134
130	32	240	80	422	100	499	142	662	267	1142
150	32	245	80	427	100	504	142	667	267	1147
180	33	252	81	434	101	511	143	674	268	1154
200	34	258	82	440	102	517	144	680	269	1160
250	36	271	84	453	104	530	146	693	271	1173
300	37	284	85	466	105	543	147	706	272	1186
350	39	296	87	478	107	555	149	718	274	1198
400	41	309	89	491	109	568	151	731	276	1211
450	42	322	90	504	110	581	152	744	277	1224
500	44	335	92	517	112	594	154	757	279	1237
550	46	348	94	530	114	607	156	770	281	1250
600	57	430	105	612	125	689	167	852	292	1332

15°



$$(Ln \times 0,25) + S_0 = S$$

$$(Ln \times 0,96) + H_0 = H_s$$



$$(Ln \times 0,50) + S_0 = S$$

$$(Ln \times 0,86) + H_0 = H_s$$

DISASSAMENTO CON DOPPIA CURVA 30°

CENTER OFFSET WITH DOUBLE 30° ELBOW

30°

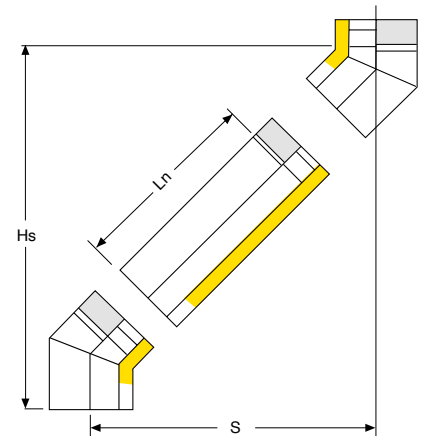
DOPPIA PARETE DOUBLE WALL EdilISO25 Ø	0 m		0,25 m		0,33 m		0,50 m		1 m	
	S ₀	H ₀	S	H _s	S	H _s	S	H _s	S	H _s
80	65	244	160	407	200	476	285	622	535	1052
100	68	252	163	415	203	484	288	630	538	1060
130	72	267	167	430	207	499	292	645	542	1075
150	74	277	169	440	209	509	294	655	544	1085
180	78	292	173	455	213	524	298	670	548	1100
200	81	302	176	465	216	534	301	680	551	1110
250	88	327	183	490	223	559	308	705	558	1135
300	94	352	189	515	229	584	314	730	564	1160
350	101	376	196	539	236	608	321	754	571	1184
400	107	401	202	564	242	633	327	779	577	1209
450	127	427	222	590	262	659	347	805	597	1235
500	121	452	216	615	256	684	341	830	591	1260
550	128	477	223	640	263	709	348	855	598	1285
600	153	571	248	734	288	803	373	949	623	1379

45°

DISASSAMENTO CON DOPPIA CURVA 45°

CENTER OFFSET WITH DOUBLE 45° ELBOW

DOPPIA PARETE DOUBLE WALL EdilISO25 Ø	0 m		0,25 m		0,33 m		0,50 m		1 m	
	S ₀	H ₀	S	H _s	S	H _s	S	H _s	S	H _s
80	104	251	238	385	295	442	415	562	769	916
100	112	270	246	404	303	461	423	581	777	935
130	120	289	254	423	311	480	431	600	785	954
150	125	302	259	436	316	493	436	613	790	967
180	139	335	273	469	330	526	450	646	804	1000
200	143	344	277	478	334	535	454	655	808	1009
250	159	383	293	517	350	574	470	694	824	1048
300	173	418	307	552	364	609	484	729	838	1083
350	185	447	319	581	376	638	496	758	850	1112
400	202	487	336	621	393	678	513	798	867	1152
450	216	523	350	657	407	714	527	834	881	1188
500	231	558	365	692	422	749	542	869	896	1223
550	246	593	380	727	437	784	557	904	911	1258
600	284	687	418	821	475	878	595	998	949	1352



$$(Ln \times 0,71) + S_0 = S$$

$$(Ln \times 0,71) + H_0 = H_s$$

1 m Ln = 940 mm
 0,50 m Ln = 440 mm
 0,33 m Ln = 270 mm
 0,25 m Ln = 190 mm