



**EDiL**  
**inox**  
**CANNE FUMARIE**



# **EdilISO50**

**DOPPIA PARETE**  
**DOUBLE WALL**

# EdilISO50



## SISTEMA DOPPIA PARETE EdilISO50

Il sistema **doppia parete EdilISO50** è composto da elementi componibili rigidi con finitura lucida BA, realizzati con parete interna in acciaio inox AISI 316L di spessore minimo 0,4 mm e parete esterna in acciaio inox AISI 304, conformi agli standard previsti dalla marcatura CE secondo la normativa EN 1856/1. La coibentazione è realizzata in lana minerale ad alta densità di spessore 50 mm, pressata ed interposta tra le pareti senza elementi di giunzione tra le stesse (ponte termico). Gli elementi modulari hanno innesto classico a bicchiere maschio-femmina calibrato per entrambi le pareti con guarnizione di tenuta a triplice labbro da inserire sulla parete interna, conforme alla normativa europea EN 14241-1, e giunzione meccanica con fascetta di sicurezza.

### Riferimento normativo e designazione

Marcatura del prodotto secondo la normativa europea: CE 0476 EN 1856-1.

T200 H1 W V2 L50040\* O xx con guarnizione a tre labbra inclinata verso il basso - Ø 80 ÷ 300

T200 P1 W V2 L50040\* O xx con guarnizione

T600 N1 W V2 L50040 O zz / G yy senza guarnizione

\* La designazione può variare in funzione della qualità e dello spessore della materia prima come indica la tabella di seguito:

V2 AISI 316L		Vm AISI 304		ISOL.	SPESSORI
EN 1856-1	EDILINOX	EN 1856/1-2	EDILINOX		
L50040 (Ø 80÷200)	EdilISO50	L20040	EEdilISO50	50 mm	0,4 mm
L50050* (Ø 250÷500)	EdilISO50	L20050	EEdilISO50	50 mm	0,5 mm
L50060* (Ø 550÷800)	EdilISO50	L20060	EEdilISO50	50 mm	0,6 mm

O xx	T200
xx = 30 mm ≈ Ø 80 ÷ 300	
xx = 45 mm ≈ Ø 350 ÷ 450	
xx = 60 mm ≈ Ø 500	

G yy
yy = 50 mm ≈ Ø 80 ÷ 300
yy = 75 mm ≈ Ø 350 ÷ 450
yy = 100 mm ≈ Ø 500

### Utilizzo

Condotti, canali da fumo, camini metallici, esalazioni aria asserviti a generatori di calore di tipo atmosferico, pressurizzato, ad aria soffiata, tradizionali o a condensazione, cappe cucina per uso industriale o domestico, stufe a legna, caminetti, stufe a pellet. Particolarmente adatto per elevata resistenza termica.

### Applicazione

Installazione interna o esterna.

### Diametri disponibili - mm

80/180 - 100/200 - 130/230 - 150/250 - 180/280 - 200/300 - 250/350 - 300/400 - 350/450 - 400/500 - 450/550 - 500/600 **A RICHIESTA**

Disponibile fino al diametro interno 800 **A RICHIESTA**

## DOUBLE WALL EdilISO50 SYSTEM

**Double wall EdilISO50 system** is composed by modular rigid elements with BA surface finish, made with the inner wall of stainless steel AISI 316L minimum thickness of 0.4 mm and outer wall in stainless steel AISI 304, according to the standards set out by the European CE mark, EN 1856/1. Insulation made of high density mineral wool 50 mm thickness, pressed and interposed between the walls without connecting elements between the same (thermal junction). The modular elements have classic male-female junction calibrated for both sides, with triple seal lip gasket, conforming to European standard EN 14241-1, and mechanical connection with locking clamp.

### Normative references and designation

Product marking according to the European standard: CE 0476 EN 1856-1.

T200 H1 W V2 L50040\* O xx with seal a three lips tilted down - Ø 80 ÷ 300

T200 P1 W V2 L50040\* O xx with seal

T600 N1 W V2 L50040 O zz / G yy without seal

\* The designation may vary according to the quality and thickness of the raw material, as indicated in the table below:

V2 AISI 316L		Vm AISI 304		INSUL.	THICKNESS
EN 1856-1	EDILINOX	EN 1856/1-2	EDILINOX		
L50040 (Ø 80÷200)	EdilISO50	L20040	EEdilISO50	50 mm	0,4 mm
L50050* (Ø 250÷500)	EdilISO50	L20050	EEdilISO50	50 mm	0,5 mm
L50060* (Ø 550÷800)	EdilISO50	L20060	EEdilISO50	50 mm	0,6 mm

O xx	T200
xx = 30 mm ≈ Ø 80 ÷ 300	
xx = 45 mm ≈ Ø 350 ÷ 450	
xx = 60 mm ≈ Ø 500	

G yy
yy = 50 mm ≈ Ø 80 ÷ 300
yy = 75 mm ≈ Ø 350 ÷ 450
yy = 100 mm ≈ Ø 500

### Utilizations

Ducts, flue pipes, metal chimneys, air conduction subservient to atmospheric heat generators, pressurized, air blown, traditional or condensing, industrial or domestic kitchen hoods, wood stoves, fireplaces, pellet stoves. Particularly used with high temperatures heating systems.

### Application

Internal or external installation.

### Available diameters - mm

80/180 - 100/200 - 130/230 - 150/250 - 180/280 - 200/300 - 250/350 - 300/400 - 350/450 - 400/500 - 450/550 - 500/600 **ON REQUEST**

Available internal diameter up to 800 **ON REQUEST**

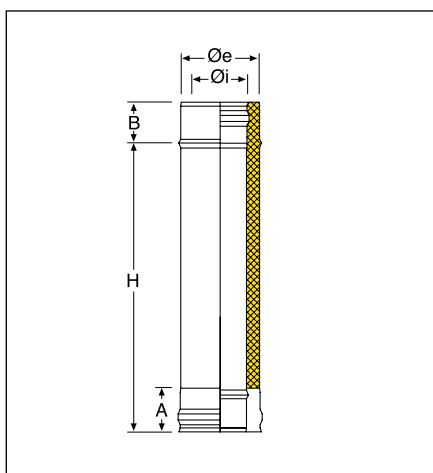
# DOPPIA PARETE - DOUBLE WALL AISI 316L

## EIKSEXTDP1C...



Elemento lineare da 1 m.

Pipe 1 m.



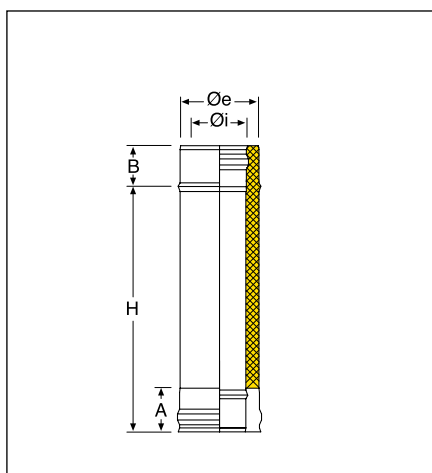
Øi	Øe	COD.	A	B	H
80	180	EIKSEXTDP1C080	65	54	940
100	200	EIKSEXTDP1C100	65	54	940
130	230	EIKSEXTDP1C130	65	54	940
150	250	EIKSEXTDP1C150	65	54	940
180	280	EIKSEXTDP1C180	65	54	940
200	300	EIKSEXTDP1C200	65	54	940
250	350	EIKSEXTDP1C250	65	54	940
300	400	EIKSEXTDP1C300	65	54	940
350	450	EIKSEXTDP1C350	65	54	940
400	500	EIKSEXTDP1C400	65	54	940
450	550	EIKSEXTDP1C450	65	54	940
500	600	EIKSEXTDP1C500	65	54	940

## EIKSEXTDP5C...



Elemento lineare da 0,50 m.

Pipe 0.50 m.



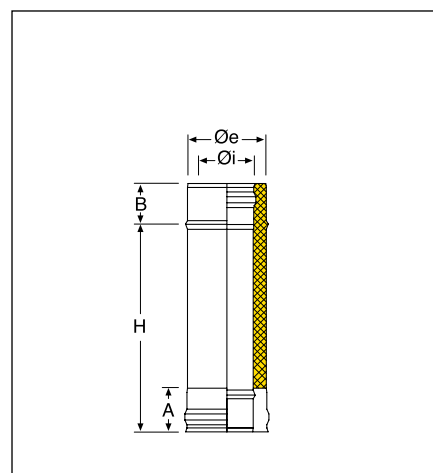
Øi	Øe	COD.	A	B	H
80	180	EIKSEXTDP5C080	65	54	440
100	200	EIKSEXTDP5C100	65	54	440
130	230	EIKSEXTDP5C130	65	54	440
150	250	EIKSEXTDP5C150	65	54	440
180	280	EIKSEXTDP5C180	65	54	440
200	300	EIKSEXTDP5C200	65	54	440
250	350	EIKSEXTDP5C250	65	54	440
300	400	EIKSEXTDP5C300	65	54	440
350	450	EIKSEXTDP5C350	65	54	440
400	500	EIKSEXTDP5C400	65	54	440
450	550	EIKSEXTDP5C450	65	54	440
500	600	EIKSEXTDP5C500	65	54	440

## EIKSEXTDP2C...



Elemento lineare da 0,33 m.

Pipe 0.33 m.



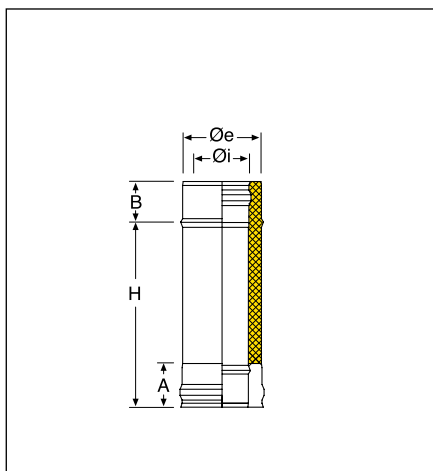
Øi	Øe	COD.	A	B	H
80	180	EIKSEXTDP2C080	65	54	270
100	200	EIKSEXTDP2C100	65	54	270
130	230	EIKSEXTDP2C130	65	54	270
150	250	EIKSEXTDP2C150	65	54	270
180	280	EIKSEXTDP2C180	65	54	270
200	300	EIKSEXTDP2C200	65	54	270
250	350	EIKSEXTDP2C250	65	54	270
300	400	EIKSEXTDP2C300	65	54	270
350	450	EIKSEXTDP2C350	65	54	270
400	500	EIKSEXTDP2C400	65	54	270
450	550	EIKSEXTDP2C450	65	54	270
500	600	EIKSEXTDP2C500	65	54	270

## EIKSEXTDP25C...



Elemento lineare da 0,25 m.

Pipe 0.25 m.



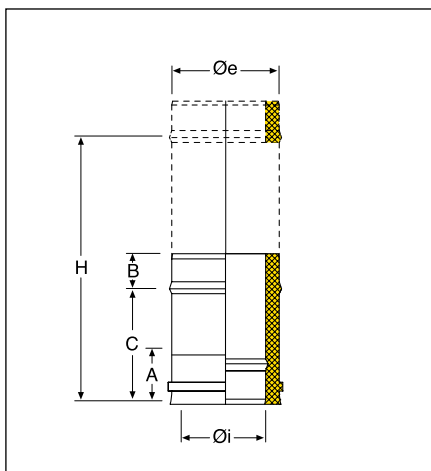
Øi	Øe	COD.	A	B	H
80	180	EIKSEXTDP25C080	65	54	190
100	200	EIKSEXTDP25C100	65	54	190
130	230	EIKSEXTDP25C130	65	54	190
150	250	EIKSEXTDP25C150	65	54	190
180	280	EIKSEXTDP25C180	65	54	190
200	300	EIKSEXTDP25C200	65	54	190
250	350	EIKSEXTDP25C250	65	54	190
300	400	EIKSEXTDP25C300	65	54	190
350	450	EIKSEXTDP25C350	65	54	190
400	500	EIKSEXTDP25C400	65	54	190
450	550	EIKSEXTDP25C450	65	54	190
500	600	EIKSEXTDP25C500	65	54	190

## EIKSEXETDP4C...



Elemento telescopico.

Adjustable pipe.



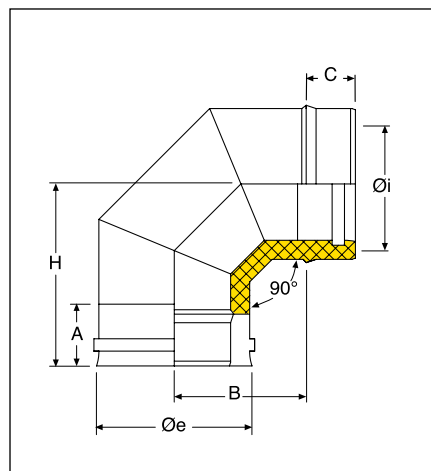
Øi	Øe	COD.	A	B	C	H
80	180	EIKSEXETDP4C080	65	54	260	390
100	200	EIKSEXETDP4C100	65	54	260	390
130	230	EIKSEXETDP4C130	65	54	260	390
150	250	EIKSEXETDP4C150	65	54	260	390
180	280	EIKSEXETDP4C180	65	54	260	390
200	300	EIKSEXETDP4C200	65	54	260	390
250	350	EIKSEXETDP4C250	65	54	260	390
300	400	EIKSEXETDP4C300	65	54	260	390
350	450	EIKSEXETDP4C350	65	54	260	390
400	500	EIKSEXETDP4C400	65	54	260	390
450	550	EIKSEXETDP4C450	65	54	260	390
500	600	EIKSEXETDP4C500	65	54	260	390

## EIKSEXGDP90C...



Curva a 90°.

Elbow 90°.



Øi	Øe	COD.	A	B	C	H
80	180	EIKSEXGDP90C080	65	100	54	160
100	200	EIKSEXGDP90C100	65	120	54	180
130	230	EIKSEXGDP90C130	65	130	54	190
150	250	EIKSEXGDP90C150	65	140	54	200
180	280	EIKSEXGDP90C180	65	155	54	215
200	300	EIKSEXGDP90C200	65	165	54	225
250	350	EIKSEXGDP90C250	65	190	54	250
300	400	EIKSEXGDP90C300	65	215	54	275
350	450	EIKSEXGDP90C350	65	261	54	321
400	500	EIKSEXGDP90C400	65	307	54	367
450	550	EIKSEXGDP90C450	65	332	54	392
500	600	EIKSEXGDP90C500	65	357	54	417

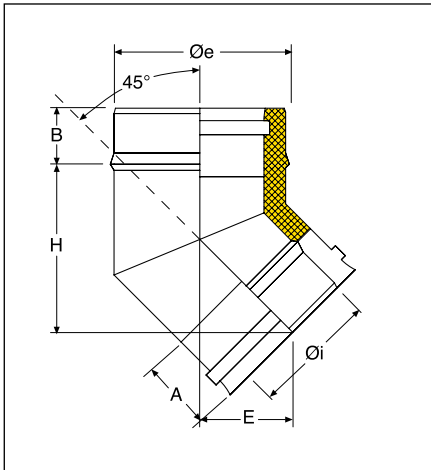
# DOPPIA PARETE - DOUBLE WALL AISI 316L

## EIKSEXGDP45C...



Curva a 45°.

Elbow 45°.



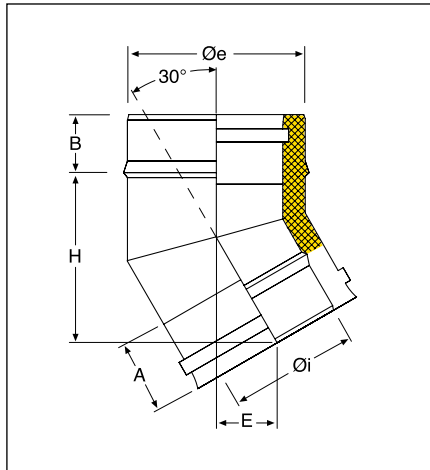
Øi	Øe	COD.	A	B	E	H
80	180	EIKSEXGDP45C080	65	54	79	137
100	200	EIKSEXGDP45C100	65	54	82	143
130	230	EIKSEXGDP45C130	65	54	88	160
150	250	EIKSEXGDP45C150	65	54	91	164
180	280	EIKSEXGDP45C180	65	54	94	174
200	300	EIKSEXGDP45C200	65	54	98	184
250	350	EIKSEXGDP45C250	65	54	105	197
300	400	EIKSEXGDP45C300	65	54	114	215
350	450	EIKSEXGDP45C350	65	54	123	234
400	500	EIKSEXGDP45C400	65	54	130	252
450	550	EIKSEXGDP45C450	65	54	138	270
500	600	EIKSEXGDP45C500	65	54	145	287

## EIKSEXGDP30C...



Curva a 30°.

Elbow 30°.



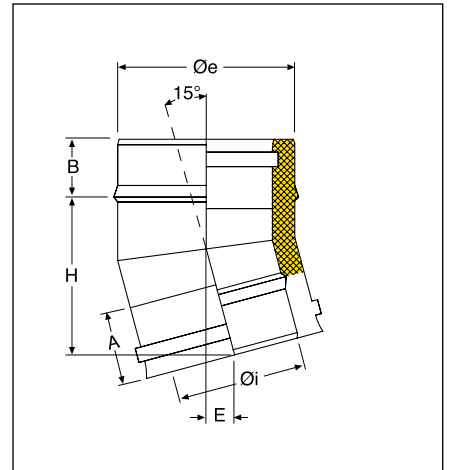
Øi	Øe	COD.	A	B	E	H
80	180	EIKSEXGDP30C080	65	54	51	130
100	200	EIKSEXGDP30C100	65	54	51	135
130	230	EIKSEXGDP30C130	65	54	53	142
150	250	EIKSEXGDP30C150	65	54	54	147
180	280	EIKSEXGDP30C180	65	54	56	154
200	300	EIKSEXGDP30C200	65	54	57	160
250	350	EIKSEXGDP30C250	65	54	60	172
300	400	EIKSEXGDP30C300	65	54	63	184
350	450	EIKSEXGDP30C350	65	54	67	197
400	500	EIKSEXGDP30C400	65	54	70	210
450	550	EIKSEXGDP30C450	65	54	74	222
500	600	EIKSEXGDP30C500	65	54	77	235

## EIKSEXGDP15C...



Curva a 15°.

Elbow 15°.



Øi	Øe	COD.	A	B	E	H
80	180	EIKSEXGDP15C080	65	54	23	119
100	200	EIKSEXGDP15C100	65	54	24	121
130	230	EIKSEXGDP15C130	65	54	25	125
150	250	EIKSEXGDP15C150	65	54	24	128
180	280	EIKSEXGDP15C180	65	54	25	131
200	300	EIKSEXGDP15C200	65	54	25	134
250	350	EIKSEXGDP15C250	65	54	26	141
300	400	EIKSEXGDP15C300	65	54	27	147
350	450	EIKSEXGDP15C350	65	54	28	154
400	500	EIKSEXGDP15C400	65	54	29	160
450	550	EIKSEXGDP15C450	65	54	30	167
500	600	EIKSEXGDP15C500	65	54	31	173

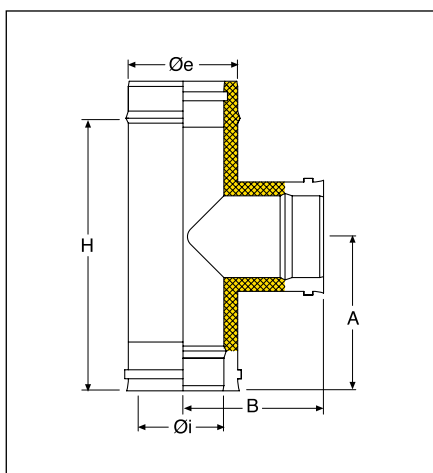


## EIKSEXTDPC...



Raccordo a "T" 90°.

90° tee.



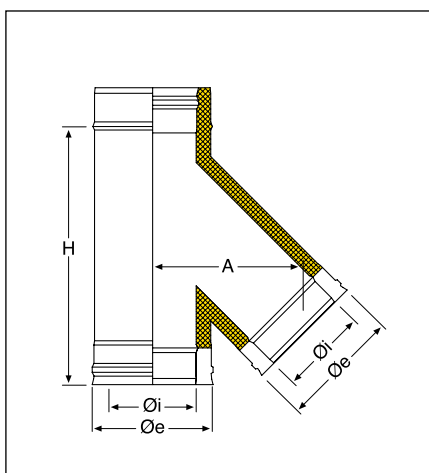
Øi	Øe	COD.	A	B	H
80	180	EIKSEXTDPC080	242	165	440
100	200	EIKSEXTDPC100	242	175	440
130	230	EIKSEXTDPC130	242	190	440
150	250	EIKSEXTDPC150	242	200	440
180	280	EIKSEXTDPC180	242	213	440
200	300	EIKSEXTDPC200	242	225	440
250	350	EIKSEXTDPC250	267	250	490
300	400	EIKSEXTDPC300	322	275	588
350	450	EIKSEXTDPC350	380	300	710
400	500	EIKSEXTDPC400	380	325	710
450	550	EIKSEXTDPC450	405	350	760
500	600	EIKSEXTDPC500	430	375	810

## EIKSEXTIC...



Raccordo a "T" 45°.

45° tee.



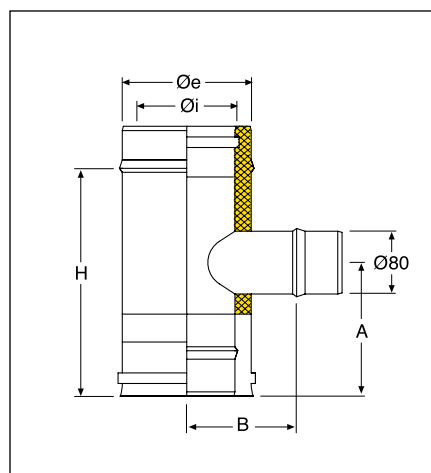
Øi	Øe	COD.	A	H
80	180	EIKSEXTIC080	241	390
100	200	EIKSEXTIC100	258	440
130	230	EIKSEXTIC130	273	470
150	250	EIKSEXTIC150	300	515
180	280	EIKSEXTIC180	344	560
200	300	EIKSEXTIC200	344	560
250	350	EIKSEXTIC250	386	640
300	400	EIKSEXTIC300	496	883
350	450	EIKSEXTIC350	515	940
400	500	EIKSEXTIC400	542	1020
450	550	EIKSEXTIC450	593	1020
500	600	EIKSEXTIC500	653	1092

## EIKSEXTPCU...



Raccordo a "T" 90° uscita monoparete ridotta a Ø 80 mm.

Tee 90° reduced Ø 80 mm single wall.



Øi	Øe	COD.	A	B	H
80	180	EIKSEXTPCU080	123	90	190
100	200	EIKSEXTPCU100	123	100	190
130	230	EIKSEXTPCU130	123	115	190
150	250	EIKSEXTPCU150	123	125	190
180	280	EIKSEXTPCU180	123	140	190
200	300	EIKSEXTPCU200	123	150	190
250	350	EIKSEXTPCU250	123	175	190
300	400	EIKSEXTPCU300	123	200	190
350	450	EIKSEXTPCU350	#	#	#
400	500	EIKSEXTPCU400	#	#	#
450	550	EIKSEXTPCU450	#	#	#
500	600	EIKSEXTPCU500	#	#	#

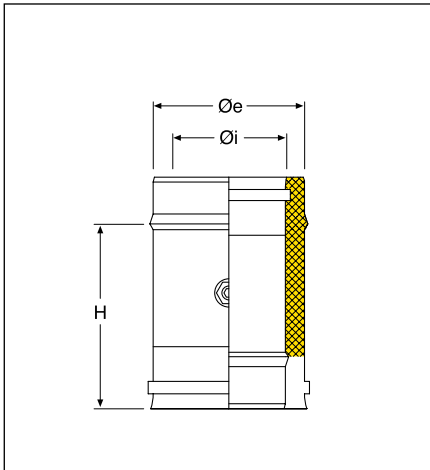
# DOPPIA PARETE - DOUBLE WALL AISI 316L

## EIKSEXPFDP...



Elemento per prelievo fumi.

*Fumes test section with threaded sleeve.*



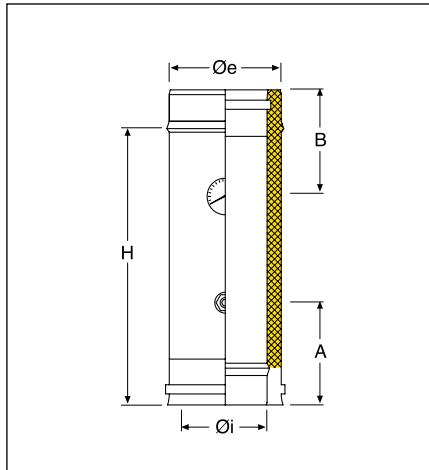
Øi	Øe	COD.	H
80	180	EIKSEXPFDP080	190
100	200	EIKSEXPFDP100	190
130	230	EIKSEXPFDP130	190
150	250	EIKSEXPFDP150	190
180	280	EIKSEXPFDP180	190
200	300	EIKSEXPFDP200	190
250	350	EIKSEXPFDP250	190
300	400	EIKSEXPFDP300	190
350	450	EIKSEXPFDP350	190
400	500	EIKSEXPFDP400	190
450	550	EIKSEXPFDP450	190
500	600	EIKSEXPFDP500	190

## EIKSEXPFTDP...



Elemento per prelievo fumi e temperatura.

*Element for smoke and temperature test with threaded sleeve.*



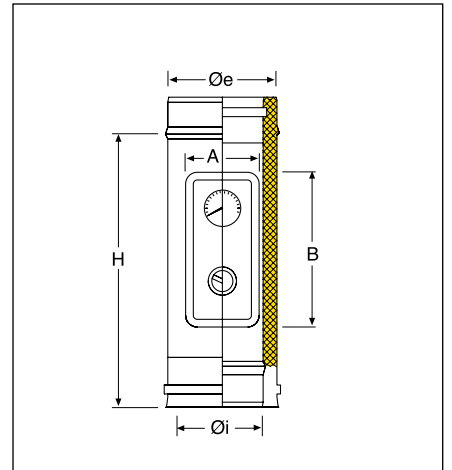
Øi	Øe	COD.	A	B	H
80	180	EIKSEXPFTDP080	65	65	440
100	200	EIKSEXPFTDP100	65	65	440
130	230	EIKSEXPFTDP130	65	65	440
150	250	EIKSEXPFTDP150	65	65	440
180	280	EIKSEXPFTDP180	65	65	440
200	300	EIKSEXPFTDP200	65	65	440
250	350	EIKSEXPFTDP250	65	65	440
300	400	EIKSEXPFTDP300	65	65	440
350	450	EIKSEXPFTDP350	65	65	440
400	500	EIKSEXPFTDP400	65	65	440
450	550	EIKSEXPFTDP450	65	65	440
500	600	EIKSEXPFTDP500	65	65	440

## EIKSEXTMCFC...



Elemento per prelievo fumi e temperatura con piastra.

*Element with plate for smoke and temperature.*

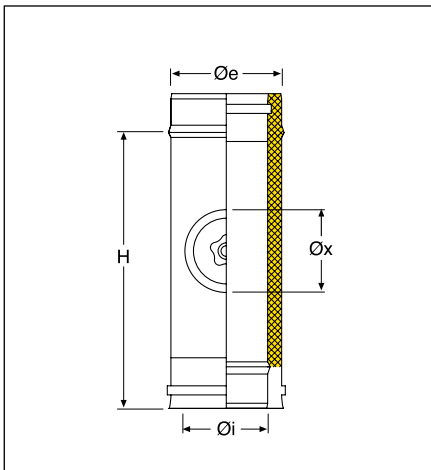


Øi	Øe	COD.	A	B	H
80	180	EIKSEXTMCFC080	113	190	440
100	200	EIKSEXTMCFC100	113	190	440
130	230	EIKSEXTMCFC130	113	190	440
150	250	EIKSEXTMCFC150	113	190	440
180	280	EIKSEXTMCFC180	113	190	440
200	300	EIKSEXTMCFC200	113	190	440
250	350	EIKSEXTMCFC250	185	280	440
300	400	EIKSEXTMCFC300	185	280	440
350	450	EIKSEXTMCFC350	185	280	440
400	500	EIKSEXTMCFC400	185	280	440
450	550	EIKSEXTMCFC450	185	280	440
500	600	EIKSEXTMCFC500	185	280	440

## EIKSEXTSIDPC...



Elemento con portello tondo per ispezione T 200°.  
*Inspection element with round test point T 200°.*

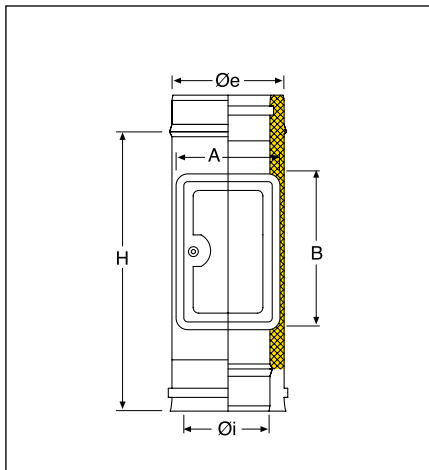


Øi	Øe	COD.	Øx	H
80	180	EIKSEXTSIDPC080	80	270
100	200	EIKSEXTSIDPC100	100	270
130	230	EIKSEXTSIDPC130	130	270
150	250	EIKSEXTSIDPC150	150	270
180	280	EIKSEXTSIDPC180	180	440
200	300	EIKSEXTSIDPC200	200	440
250	350	EIKSEXTSIDPC250	200	440
300	400	EIKSEXTSIDPC300	200	440
350	450	EIKSEXTSIDPC350	200	440
400	500	EIKSEXTSIDPC400	200	440
450	550	EIKSEXTSIDPC450	200	440
500	600	EIKSEXTSIDPC500	200	440

## EIKSEXDPERC...

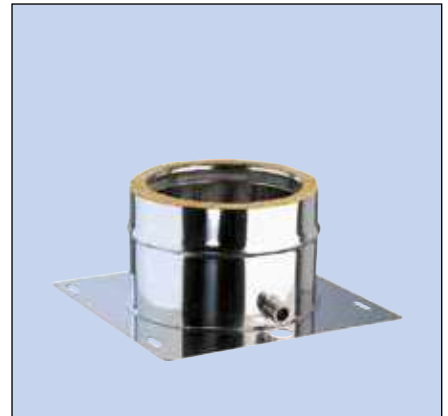


Elemento per raccolta cenere con ispezione rettangolare.  
*Ash collection element with rectangular door.*

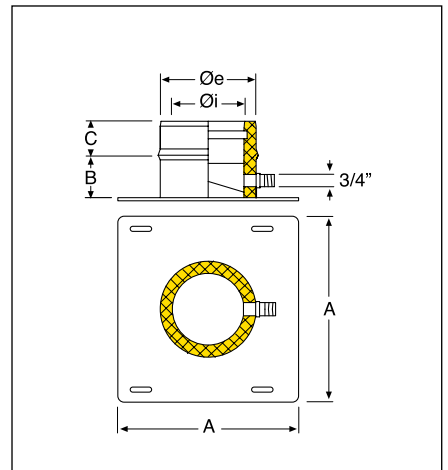


Øi	Øe	COD.	A	B	H
80	180	EIKSEXDPERC080	113	190	440
100	200	EIKSEXDPERC100	113	190	440
130	230	EIKSEXDPERC130	113	190	440
150	250	EIKSEXDPERC150	113	190	440
180	280	EIKSEXDPERC180	113	190	440
200	300	EIKSEXDPERC200	113	190	440
250	350	EIKSEXDPERC250	185	280	440
300	400	EIKSEXDPERC300	185	280	440
350	450	EIKSEXDPERC350	185	280	440
400	500	EIKSEXDPERC400	185	280	440
450	550	EIKSEXDPERC450	185	280	440
500	600	EIKSEXDPERC500	185	280	440

## EIKSEMPIASTRC...



Piastra di partenza con scarico laterale.  
*Base plate with drain plug.*



Øi	Øe	COD.	A	B	C
80	180	EIKSEMPIASTRC08	280	100	54
100	200	EIKSEMPIASTRC10	300	100	54
130	230	EIKSEMPIASTRC13	330	100	54
150	250	EIKSEMPIASTRC15	350	100	54
180	280	EIKSEMPIASTRC18	380	100	54
200	300	EIKSEMPIASTRC20	400	100	54
250	350	EIKSEMPIASTRC25	450	100	54
300	400	EIKSEMPIASTRC30	500	100	54
350	450	EIKSEMPIASTRC35	550	100	54
400	500	EIKSEMPIASTRC40	600	100	54
450	550	EIKSEMPIASTRC45	650	100	54
500	600	EIKSEMPIASTRC50	700	100	54



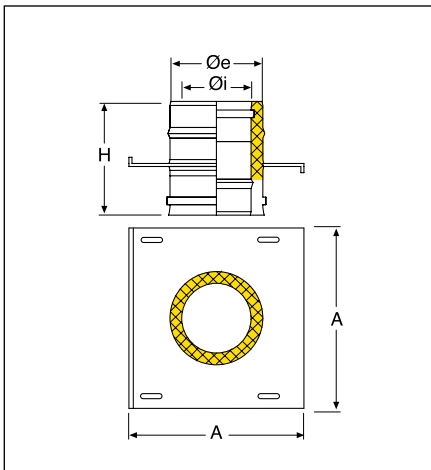
# DOPPIA PARETE - DOUBLE WALL AISI 316L

## EIKSEPIASIC...



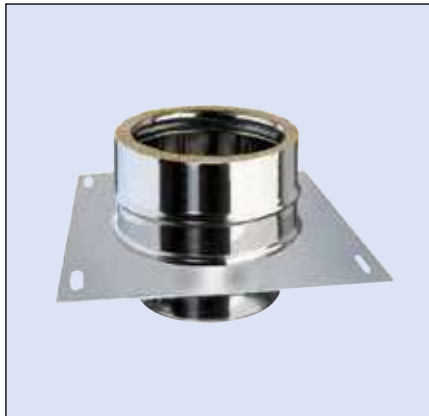
Piastra intermedia.

*Intermediate anchor plate.*



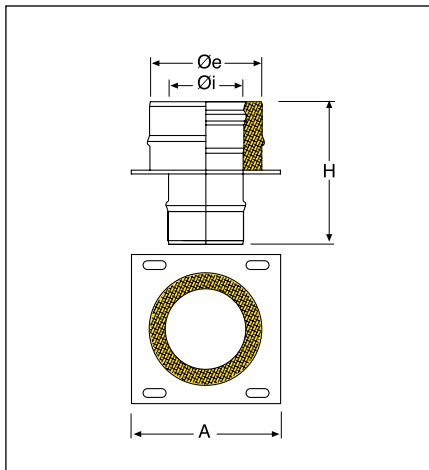
Øi	Øe	COD.	A	H
80	180	EIKSEPIASIC080	280	190
100	200	EIKSEPIASIC100	300	190
130	230	EIKSEPIASIC130	330	190
150	250	EIKSEPIASIC150	350	190
180	280	EIKSEPIASIC180	380	190
200	300	EIKSEPIASIC200	400	190
250	350	EIKSEPIASIC250	450	190
300	400	EIKSEPIASIC300	500	190
350	450	EIKSEPIASIC350	550	190
400	500	EIKSEPIASIC400	600	190
450	550	EIKSEPIASIC450	650	190
500	600	EIKSEPIASIC500	700	190

## EIKSEPIASIDM...



Piastra intermedia mono - doppia.

*Intermediate anchor plate single - double.*



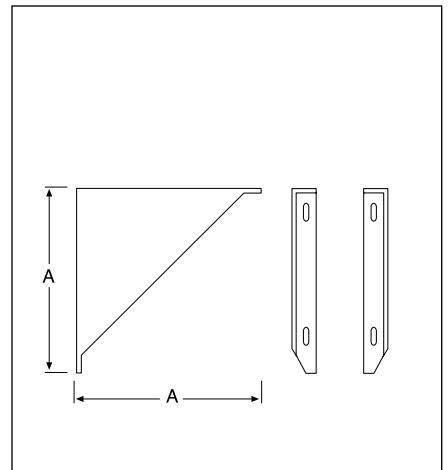
Øi	Øe	COD.	A	H
80	180	EIKSEPIASIDM08	280	190
100	200	EIKSEPIASIDM10	300	190
130	230	EIKSEPIASIDM13	330	190
150	250	EIKSEPIASIDM15	350	190
180	280	EIKSEPIASIDM18	380	190
200	300	EIKSEPIASIDM20	400	190
250	350	EIKSEPIASIDM25	450	190
300	400	EIKSEPIASIDM30	500	190
350	450	EIKSEPIASIDM35	550	190
400	500	EIKSEPIASIDM40	600	190
450	550	EIKSEPIASIDM45	650	190
500	600	EIKSEPIASIDM50	700	190

## EIKSEXCSDP...



Coppia di supporti per piastra.

*Cantilever brackets (pair).*



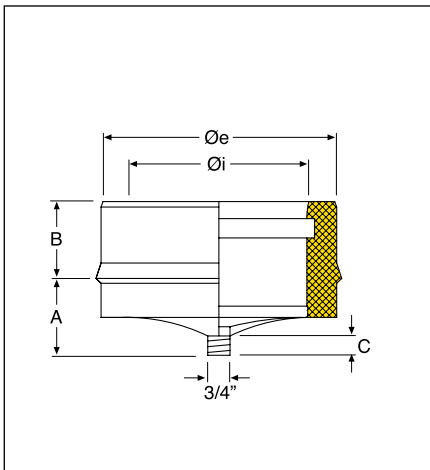
Øi	Øe	COD.	A
80	180	EIKSEXCSDP080	280
100	200	EIKSEXCSDP100	300
130	230	EIKSEXCSDP130	330
150	250	EIKSEXCSDP150	350
180	280	EIKSEXCSDP180	380
200	300	EIKSEXCSDP200	400
250	350	EIKSEXCSDP250	450
300	400	EIKSEXCSDP300	500
350	450	EIKSEXCSDP350	550
400	500	EIKSEXCSDP400	600
450	550	EIKSEXCSDP450	650
500	600	EIKSEXCSDP500	700

## EIKSEXTAPDP4C...



Scarico condensa.

*Tee cap with condense drain.*



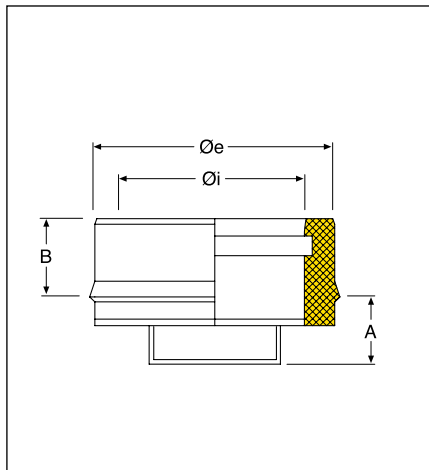
Øi	Øe	COD.	A	B	C
80	180	EIKSEXTAPDP4C08	65	54	12
100	200	EIKSEXTAPDP4C10	65	54	12
130	230	EIKSEXTAPDP4C13	65	54	12
150	250	EIKSEXTAPDP4C15	65	54	12
180	280	EIKSEXTAPDP4C18	65	54	12
200	300	EIKSEXTAPDP4C20	65	54	12
250	350	EIKSEXTAPDP4C25	65	54	12
300	400	EIKSEXTAPDP4C30	65	54	12
350	450	EIKSEXTAPDP4C35	65	54	12
400	500	EIKSEXTAPDP4C40	65	54	12
450	550	EIKSEXTAPDP4C45	65	54	12
500	600	EIKSEXTAPDP4C50	65	54	12

## EIKSEXTCDP...



Tappo cieco.

*Tea cap.*



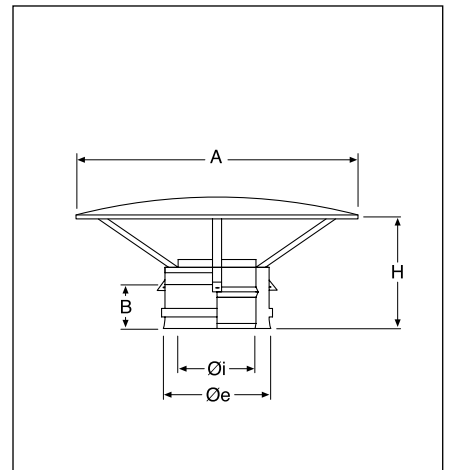
Øi	Øe	COD.	A	B
80	180	EIKSEXTCDP080	55	54
100	200	EIKSEXTCDP100	55	54
130	230	EIKSEXTCDP130	55	54
150	250	EIKSEXTCDP150	55	54
180	280	EIKSEXTCDP180	55	54
200	300	EIKSEXTCDP200	55	54
250	350	EIKSEXTCDP250	55	54
300	400	EIKSEXTCDP300	55	54
350	450	EIKSEXTCDP350	55	54
400	500	EIKSEXTCDP400	55	54
450	550	EIKSEXTCDP450	55	54
500	600	EIKSEXTCDP500	55	54

## EIKSEXCCDPC...



Cappello cinese.

*Rain cap.*



Øi	Øe	COD.	A	B	H
80	180	EIKSEXCCDPC080	265	65	225
100	200	EIKSEXCCDPC100	265	65	235
130	230	EIKSEXCCDPC130	320	65	255
150	250	EIKSEXCCDPC150	320	65	260
180	280	EIKSEXCCDPC180	400	65	285
200	300	EIKSEXCCDPC200	400	65	310
250	350	EIKSEXCCDPC250	500	65	310
300	400	EIKSEXCCDPC300	600	65	310
350	450	EIKSEXCCDPC350	720	65	310
400	500	EIKSEXCCDPC400	720	65	330
450	550	EIKSEXCCDPC450	850	65	330
500	600	EIKSEXCCDPC500	850	65	350

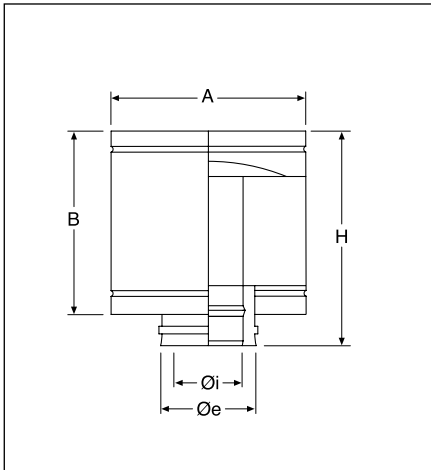
# DOPPIA PARETE - DOUBLE WALL AISI 316L

## EIKSEXTADPC...



Terminale anti intemperie.

*Anti draught terminal.*



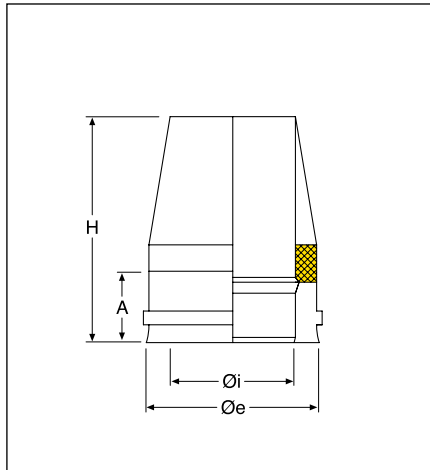
Øi	Øe	COD.	A	B	H
80	180	EIKSEXTADPC080	222	165	325
100	200	EIKSEXTADPC100	260	200	375
130	230	EIKSEXTADPC130	303	200	405
150	250	EIKSEXTADPC150	310	250	405
180	280	EIKSEXTADPC180	370	250	405
200	300	EIKSEXTADPC200	418	250	405
250	350	EIKSEXTADPC250	468	310	405
300	400	EIKSEXTADPC300	530	310	405
350	450	EIKSEXTADPC350	700	330	405
400	500	EIKSEXTADPC400	800	330	405
450	550	EIKSEXTADPC450	900	330	405
500	600	EIKSEXTADPC500	1000	360	405

## EIKSEXTCDPC...



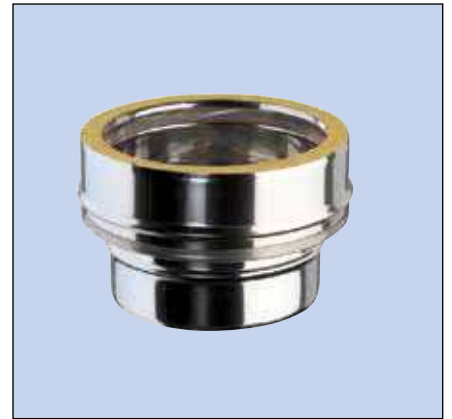
Terminale tronco conico.

*Venturi cone terminal.*



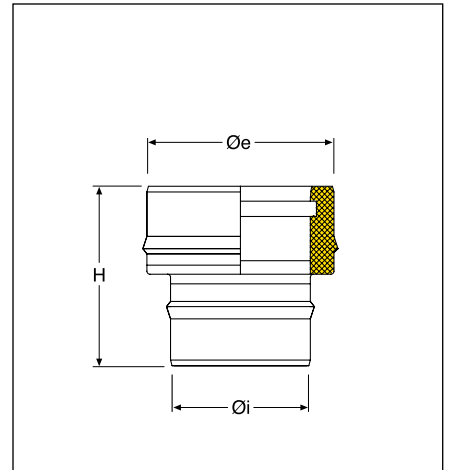
Øi	Øe	COD.	A	H
80	180	EIKSEXTCDPC080	65	200
100	200	EIKSEXTCDPC100	65	200
130	230	EIKSEXTCDPC130	65	200
150	250	EIKSEXTCDPC150	65	200
180	280	EIKSEXTCDPC180	65	200
200	300	EIKSEXTCDPC200	65	200
250	350	EIKSEXTCDPC250	65	200
300	400	EIKSEXTCDPC300	65	200
350	450	EIKSEXTCDPC350	65	290
400	500	EIKSEXTCDPC400	65	290
450	550	EIKSEXTCDPC450	65	290
500	600	EIKSEXTCDPC500	65	290

## EIKSEXRCDP...



Raccordo ingresso mono - doppia (raccordo per caldaia).

*Adaptor from single to double wall (boiler adaptor).*



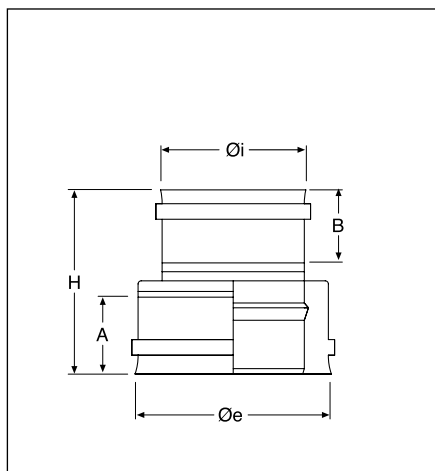
Øi	Øe	COD.	H
80	180	EIKSEXRCDP080	160
100	200	EIKSEXRCDP100	160
130	230	EIKSEXRCDP130	160
150	250	EIKSEXRCDP150	160
180	280	EIKSEXRCDP180	160
200	300	EIKSEXRCDP200	160
250	350	EIKSEXRCDP250	160
300	400	EIKSEXRCDP300	160
350	450	EIKSEXRCDP350	160
400	500	EIKSEXRCDP400	160
450	550	EIKSEXRCDP450	160
500	600	EIKSEXRCDP500	160

## EIKSEXGIUDMC...



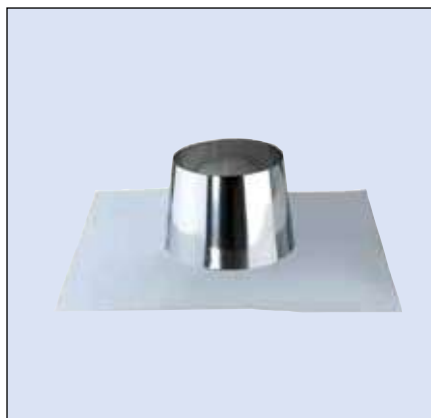
Raccordo uscita doppia - mono.

*Adaptor from double to single wall.*



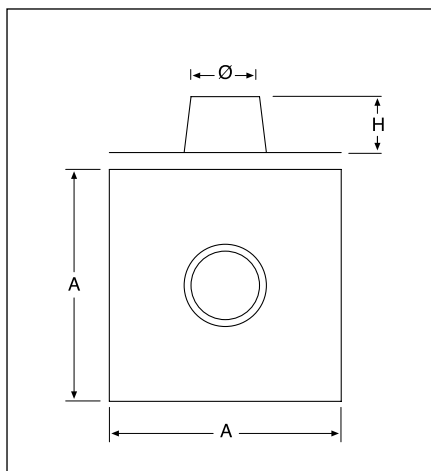
Øi	Øe	COD.	A	B	H
80	180	EIKSEXGIUDMC080	65	65	160
100	200	EIKSEXGIUDMC100	65	65	160
130	230	EIKSEXGIUDMC130	65	65	160
150	250	EIKSEXGIUDMC150	65	65	160
180	280	EIKSEXGIUDMC180	65	65	160
200	300	EIKSEXGIUDMC200	65	65	160
250	350	EIKSEXGIUDMC250	65	65	160
300	400	EIKSEXGIUDMC300	65	65	160
350	450	EIKSEXGIUDMC350	65	65	160
400	500	EIKSEXGIUDMC400	65	65	160
450	550	EIKSEXGIUDMC450	65	65	160
500	600	EIKSEXGIUDMC500	65	65	160

## EIKFPPSS...



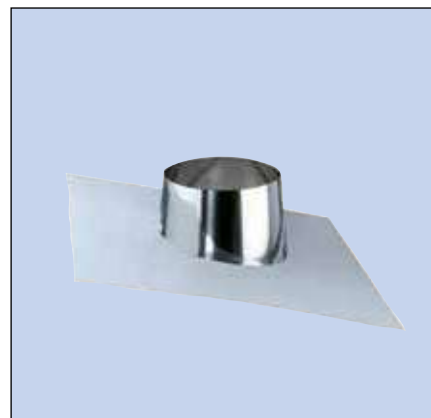
Faldale piano inox.

*Flat stainless steel flashing.*



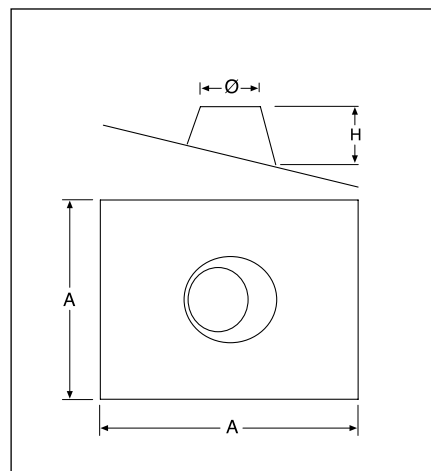
Øi	Øe	COD.	A	H
80	180	EIKFPPSS180	500	170
100	200	EIKFPPSS200	600	180
130	230	EIKFPPSS230	600	210
150	250	EIKFPPSS250	600	210
180	280	EIKFPPSS280	600	220
200	300	EIKFPPSS300	650	230
250	350	EIKFPPSS350	680	230
300	400	EIKFPPSS400	700	200
350	450	EIKFPPSS450	900	200
400	500	EIKFPPSS500	950	200
450	550	EIKFPPSS550	1000	200
500	600	EIKFPPSS600	1100	200

## EIKFPS5S...



Faldale regolabile da 5° a 30° con base inox.

*Adjustable stainless steel flashing from 5° to 30°.*



Øi	Øe	COD.	A	H
80	180	EIKFPS5S180	500	170
100	200	EIKFPS5S200	500	180
130	230	EIKFPS5S230	600	210
150	250	EIKFPS5S250	600	210
180	280	EIKFPS5S280	600	210
200	300	EIKFPS5S300	650	230
250	350	EIKFPS5S350	680	230
300	400	EIKFPS5S400	700	200
350	450	EIKFPS5S450	850	200
400	500	EIKFPS5S500	900	200
450	550	EIKFPS5S550	950	200
500	600	EIKFPS5S600	1100	330



In fase di ordine: considerare sempre il diametro esterno della canna fumaria • When ordering: always consider the outside diameter of the flue chimney

# DOPPIA PARETE - DOUBLE WALL AISI 316L

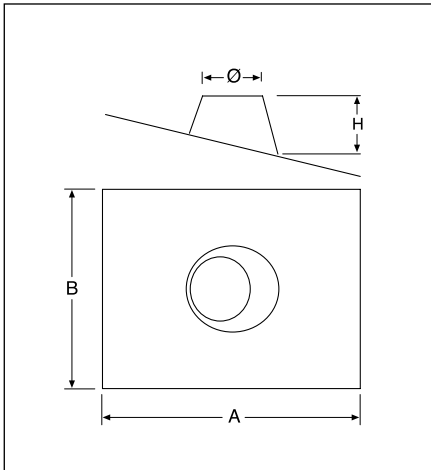


## EIKFPS3S...



Faldale regolabile da 30° a 45° con base inox.

*Adjustable stainless steel flashing from 30° to 45°.*



Øi	Øe	COD.	A	B	H
80	180	EIKFPS3S180	650	750	170
100	200	EIKFPS3S200	650	750	180
130	230	EIKFPS3S230	650	750	210
150	250	EIKFPS3S250	650	750	210
180	280	EIKFPS3S280	750	850	210
200	300	EIKFPS3S300	750	850	230
250	350	EIKFPS3S350	800	850	230
300	400	EIKFPS3S400	850	850	200
350	450	EIKFPS3S450	900	850	200
400	500	EIKFPS3S500	950	900	200
450	550	EIKFPS3S550	950	950	200
500	600	EIKFPS3S600	1100	1100	330

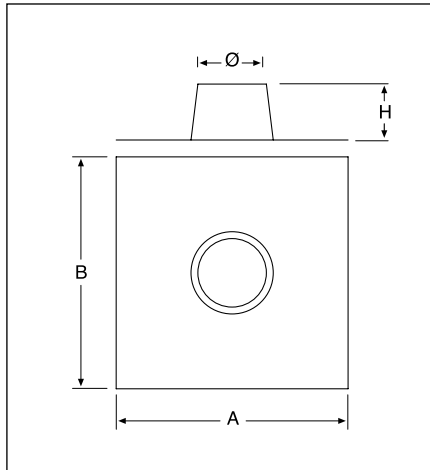


## EIKFPPSSAL...



Faldale piano con base in alluminio.

*Flat flashing with aluminum base.*



Øi	Øe	COD.	A	B	H
80	180	EIKFPPSSAL180	750	450	170
100	200	EIKFPPSSAL200	750	450	180
130	230	EIKFPPSSAL230	850	550	210
150	250	EIKFPPSSAL250	850	550	210
180	280	EIKFPPSSAL280	1000	650	210
200	300	EIKFPPSSAL300	1000	650	230
250	350	EIKFPPSSAL350	1000	650	230
300	400	EIKFPPSSAL400	1000	750	200
350	450	EIKFPPSSAL450	1000	1000	200
400	500	EIKFPPSSAL500	1000	1000	200
450	550	EIKFPPSSAL550	1000	1000	200
500	600	EIKFPPSSAL600	1000	1000	200

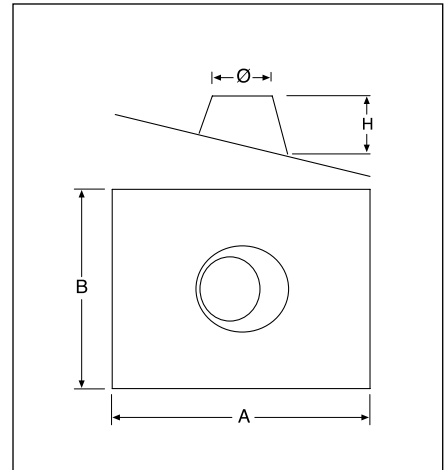


## EIKFPPSSAL...



Faldale regolabile da 5° a 30° con base in alluminio.

*Adjustable flashing from 5° to 30° with aluminum base.*



Øi	Øe	COD.	A	B	H
80	180	EIKFPPSSAL180	1000	650	170
100	200	EIKFPPSSAL200	1000	650	180
130	230	EIKFPPSSAL230	1000	650	210
150	250	EIKFPPSSAL250	1000	650	210
180	280	EIKFPPSSAL280	1000	750	210
200	300	EIKFPPSSAL300	1000	750	230
250	350	EIKFPPSSAL350	1000	750	230
300	400	EIKFPPSSAL400	1000	1000	200
350	450	EIKFPPSSAL450	1000	1000	200
400	500	EIKFPPSSAL500	1000	1000	200
450	550	EIKFPPSSAL550	1000	1000	200
500	600	EIKFPPSSAL600	1000	1000	200

**i** In fase di ordine: considerare sempre il diametro esterno della canna fumaria • *When ordering: always consider the outside diameter of the flue chimney*

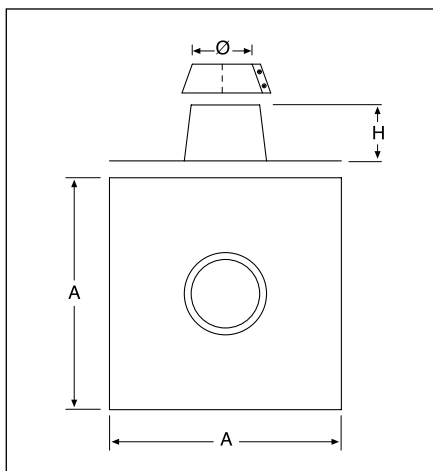


## EIKFPPSSF...



Faldale piano con base inox e fascetta anti intemperie.

*Flat stainless steel flashing with storm collar.*



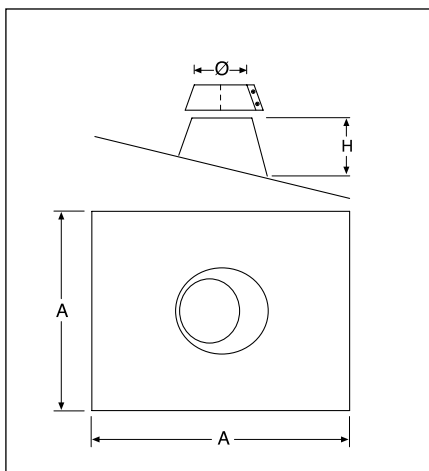
Øi	Øe	COD.	A	H
80	180	EIKFPPSSF180	500	170
100	200	EIKFPPSSF200	600	180
130	230	EIKFPPSSF230	600	210
150	250	EIKFPPSSF250	600	210
180	280	EIKFPPSSF280	600	220
200	300	EIKFPPSSF300	650	230
250	350	EIKFPPSSF350	680	230
300	400	EIKFPPSSF400	700	200
350	450	EIKFPPSSF450	900	200
400	500	EIKFPPSSF500	950	200
450	550	EIKFPPSSF550	1000	200
500	600	EIKFPPSSF600	1100	200

## EIKFPS5SPIF...



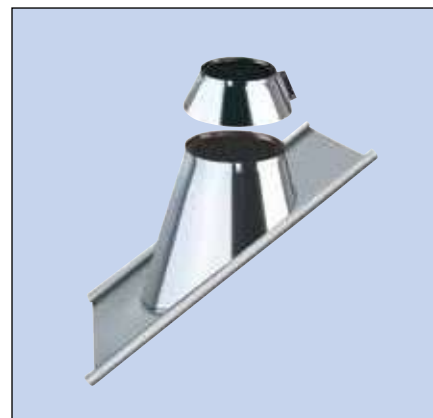
Faldale regolabile da 5° a 30° con base in piombo e fascetta anti intemperie.

*Adjustable flashing from 5° to 30° with lead base and storm collar.*



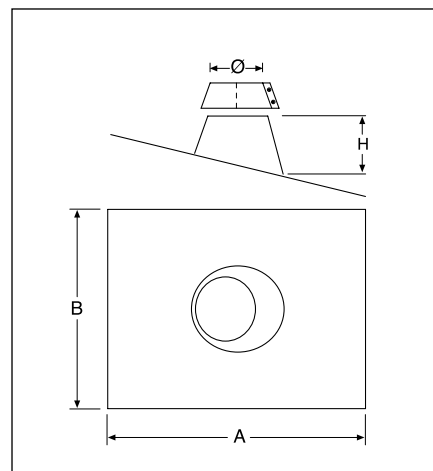
Øi	Øe	COD.	A	H
80	180	EIKFPS5SPIF180	500	170
100	200	EIKFPS5SPIF200	500	180
130	230	EIKFPS5SPIF230	600	210
150	250	EIKFPS5SPIF250	600	210
180	280	EIKFPS5SPIF280	600	210
200	300	EIKFPS5SPIF300	650	230
250	350	EIKFPS5SPIF350	680	230
300	400	EIKFPS5SPIF400	700	200
350	450	EIKFPS5SPIF450	850	200
400	500	EIKFPS5SPIF500	900	200
450	550	EIKFPS5SPIF550	950	200
500	600	EIKFPS5SPIF600	#	#

## EIKFPS3SPIF...



Faldale regolabile da 30° a 45° con base in piombo e fascetta anti intemperie.

*Adjustable flashing from 30° to 45° with lead base and storm collar.*



Øi	Øe	COD.	A	B	H
80	180	EIKFPS3SPIF180	650	750	170
100	200	EIKFPS3SPIF200	650	750	180
130	230	EIKFPS3SPIF230	650	750	210
150	250	EIKFPS3SPIF250	650	750	210
180	280	EIKFPS3SPIF280	750	850	210
200	300	EIKFPS3SPIF300	750	850	230
250	350	EIKFPS3SPIF350	800	850	230
300	400	EIKFPS3SPIF400	850	850	200
350	450	EIKFPS3SPIF450	900	850	200
400	500	EIKFPS3SPIF500	950	900	200
450	550	EIKFPS3SPIF550	950	950	200
500	600	EIKFPS3SPIF600	#	#	#



In fase di ordine: considerare sempre il diametro esterno della canna fumaria • *When ordering: always consider the outside diameter of the flue chimney*

# Non disponibile  
Not available

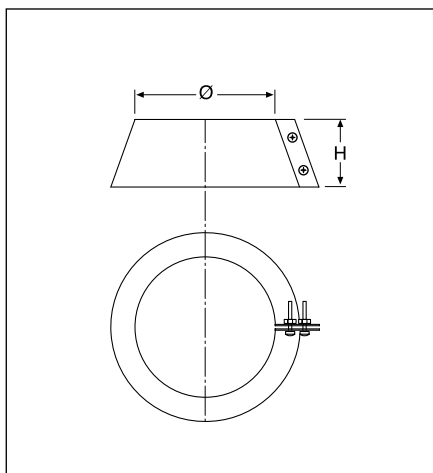
# DOPPIA PARETE - DOUBLE WALL AISI 316L

EIKFAPS2S...



Fascetta anti intemperie.

Storm collar.



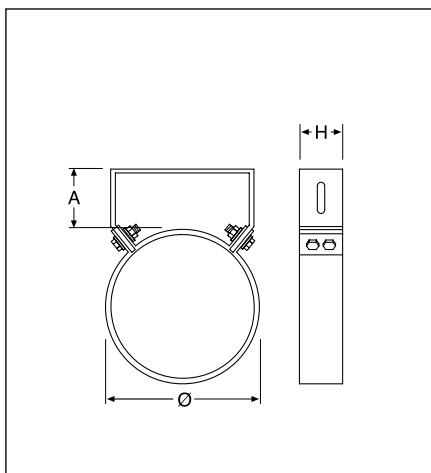
Øi	Øe	COD.	H
80	180	EIKFAPS2S180	100
100	200	EIKFAPS2S200	100
130	230	EIKFAPS2S230	100
150	250	EIKFAPS2S250	100
180	280	EIKFAPS2S280	100
200	300	EIKFAPS2S300	100
250	350	EIKFAPS2S350	100
300	400	EIKFAPS2S400	100
350	450	EIKFAPS2S450	100
400	500	EIKFAPS2S500	100
450	550	EIKFAPS2S550	100
500	600	EIKFAPS2S600	100

EIKCOLSS...



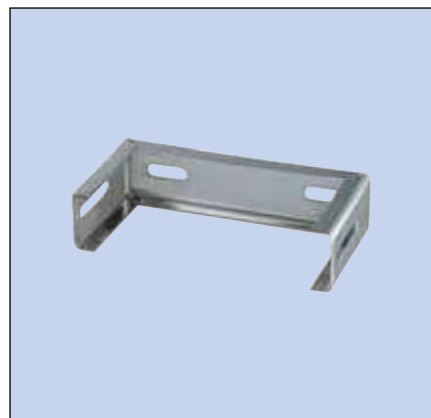
Collare a muro.

Wall bracket.



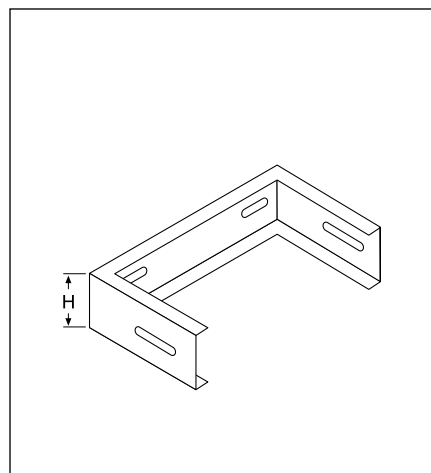
Øi	Øe	COD.	A	H
80	180	EIKCOLSS180	50	40
100	200	EIKCOLSS200	50	40
130	230	EIKCOLSS230	50	40
150	250	EIKCOLSS250	50	40
180	280	EIKCOLSS280	50	40
200	300	EIKCOLSS300	50	40
250	350	EIKCOLSS350	50	40
300	400	EIKCOLSS400	50	100
350	450	EIKCOLSS450	50	100
400	500	EIKCOLSS500	50	100
450	550	EIKCOLSS550	50	100
500	600	EIKCOLSS600	#	#

EIKDIS...



Distanziale per collare a muro.

Extension for wall bracket single wall.



Øi	Øe	COD.	H
80	180	EIKDIS180	40
100	200	EIKDIS200	40
130	230	EIKDIS230	40
150	250	EIKDIS250	40
180	280	EIKDIS280	40
200	300	EIKDIS300	40
250	350	EIKDIS350 # <sup>1</sup>	40
300	400	EIKDIS400 # <sup>1</sup>	100
350	450	EIKDIS450 # <sup>1</sup>	100
400	500	EIKDIS500 # <sup>1</sup>	100
450	550	EIKDIS550 # <sup>1</sup>	100
500	600	EIKDIS600 # <sup>1</sup>	100

**i** In fase di ordine: considerare sempre il diametro esterno della canna fumaria • When ordering: always consider the outside diameter of the flue chimney

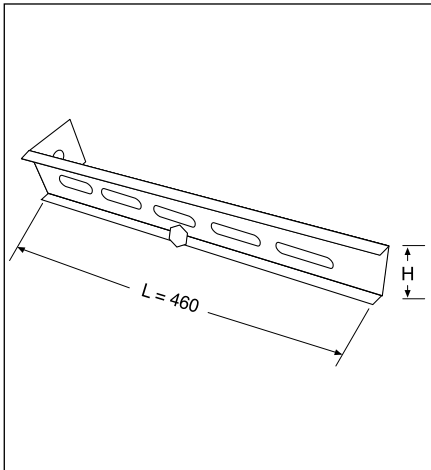
**1** Usare l'articolo EIKDISC46 e / o EIKDCMC  
Use the article EIKDISC46 and / or EIKDCMC

**#** Non disponibile  
Not available

## EIKDISC46



Distanziale universale per collare a muro (coppia) L = 460 mm. Compreso di bulloneria.  
 Universal distance piece for wall bracket (pair) L = 460 mm. Including bolts.

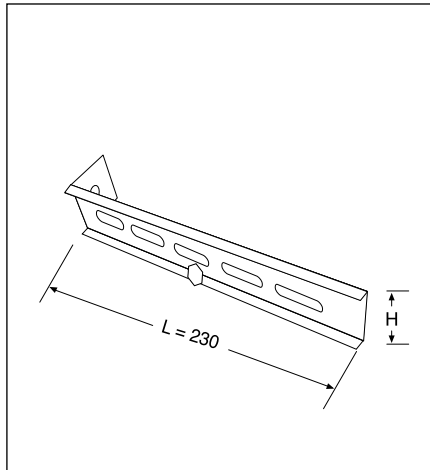


Øi	Øe	COD.	H
80	180	EIKDISC46	40
100	200	EIKDISC46	40
130	230	EIKDISC46	40
150	250	EIKDISC46	40
180	280	EIKDISC46	40
200	300	EIKDISC46	40
250	350	EIKDISC46	40
300	400	EIKDCMH100	100
350	450	EIKDCMH100	100
400	500	EIKDCMH100	100
450	550	EIKDCMH100	100
500	600	EIKDCMH100	100

## EIKDCMC



Distanziale universale per collare a muro (coppia) L = 230 mm. Compreso di bulloneria.  
 Universal distance piece for wall bracket (pair) L = 230 mm. Including bolts.



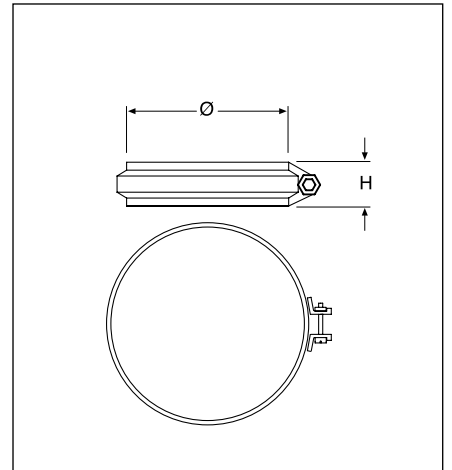
Øi	Øe	COD.	H
80	180	EIKDCMC	40
100	200	EIKDCMC	40
130	230	EIKDCMC	40
150	250	EIKDCMC	40
180	280	EIKDCMC	40
200	300	EIKDCMC	40
250	350	EIKDCMC	40
300	400	EIKDCMCH100	100
350	450	EIKDCMCH100	100
400	500	EIKDCMCH100	100
450	550	EIKDCMCH100	100
500	600	EIKDCMCH100	100

## EIKSEXFASDC...



Fascetta di sicurezza.

Locking band.



Øi	Øe	COD.	H
80	180	EIKSEXFASDC080	30
100	200	EIKSEXFASDC100	30
130	230	EIKSEXFASDC130	30
150	250	EIKSEXFASDC150	30
180	280	EIKSEXFASDC180	30
200	300	EIKSEXFASDC200	30
250	350	EIKSEXFASDC250	30
300	400	EIKSEXFASDC300	30
350	450	EIKSEXFASDC350	30
400	500	EIKSEXFASDC400	30
450	550	EIKSEXFASDC450	30
500	600	EIKSEXFASDC500	42



In fase di ordine: considerare sempre il diametro esterno della canna fumaria • When ordering: always consider the outside diameter of the flue chimney

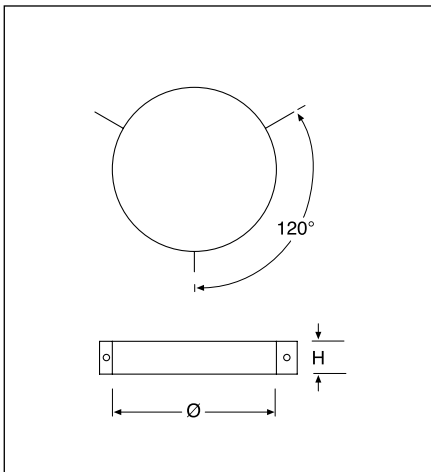
# DOPPIA PARETE - DOUBLE WALL AISI 316L

## EIKFCPSS...

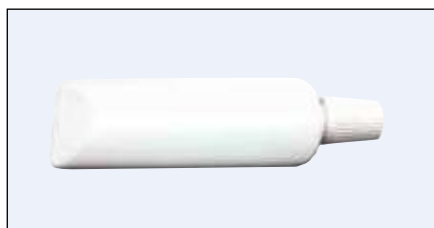


Collare per cavi tiranti.

*Guy wire bracket.*



Øi	Øe	COD.	H
80	180	EIKFCPSS180	40
100	200	EIKFCPSS200	40
130	230	EIKFCPSS230	40
150	250	EIKFCPSS250	40
180	280	EIKFCPSS280	40
200	300	EIKFCPSS300	40
250	350	EIKFCPSS350	40
300	400	EIKFCPSS400	40
350	450	EIKFCPSS450	40
400	500	EIKFCPSS500	40
450	550	EIKFCPSS550	40
500	600	EIKFCPSS600	40

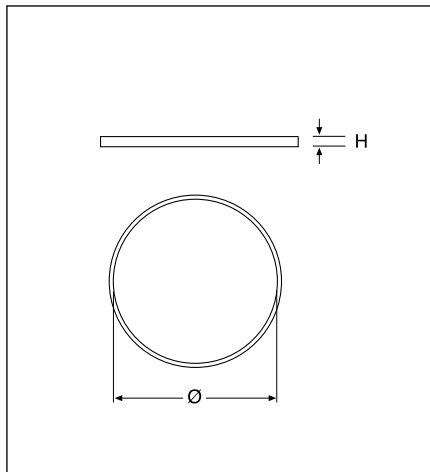


## EIK1GN...



Guarnizione di tenuta in silicone nero.

*Silicon black seal.*



Øi	COD.	H
80	EIK1GN080	10
100	EIK1GN100	10
130	EIK1GN130	10
150	EIK1GN150	10
180	EIK1GN180	10
200	EIK1GN200	10
250	EIK1GN250	10
300	EIK1GN300	10
350	Ø 300 EIK1GN300	10
400	Ø 350 EIK1GN350	10
450	Ø 350 EIK1GN350	10
500	Ø 450 EIK1GN450	10

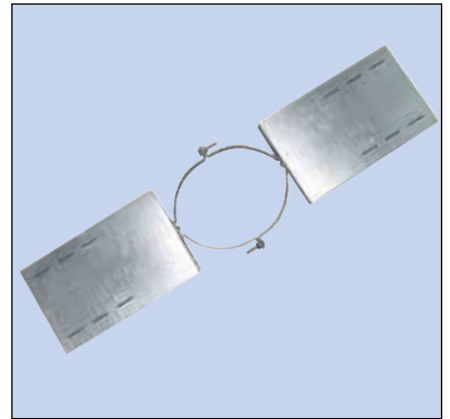
## EIKLUBGN

Lubrificante per guarnizione.  
*Lubricant for seal.*

COD.

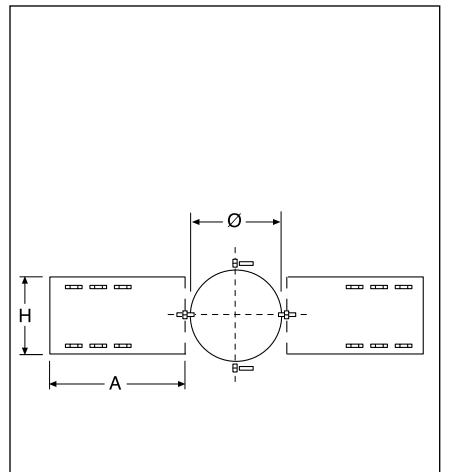
EIKLUBGN

## EIKST...



Supporto a tetto.

*Roof support.*



Øi	Øe	COD.	A	H
80	180	EIKST180	300	180
100	200	EIKST200	300	180
130	230	EIKST230	300	180
150	250	EIKST250	300	180
180	280	EIKST280	300	180
200	300	EIKST300	300	180
250	350	EIKST350	300	180
300	400	EIKST400	300	180
350	450	EIKST450	300	180
400	500	EIKST500	300	180
450	550	EIKST550	300	180
500	600	EIKST600	#	#



In fase di ordine: considerare sempre il diametro esterno della canna fumaria  
*When ordering: always consider the outside diameter of the flue chimney*

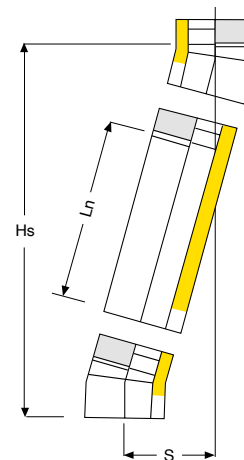
# Non disponibile  
*Not available*

## DISASSAMENTO - CENTER OFFSET

### DISASSAMENTO CON DOPPIA CURVA 15° CENTER OFFSET WITH DOUBLE 15° ELBOW

# 15°

DOPPIA PARETE DOUBLE WALL EDILISO 50 Ø	0 m		0,25 m		0,33 m		0,50 m		1 m	
	S <sub>0</sub>	H <sub>0</sub>	S	H <sub>s</sub>	S	H <sub>s</sub>	S	H <sub>s</sub>	S	H <sub>s</sub>
80	41	308	89	490	109	567	151	730	276	1210
100	41	314	89	496	109	573	151	736	276	1216
130	42	321	90	503	110	580	152	743	277	1223
150	43	326	91	508	111	585	153	748	278	1228
180	44	334	92	516	112	593	154	756	279	1236
200	45	339	93	521	113	598	155	761	280	1241
250	46	352	94	534	114	611	156	774	281	1254
300	48	365	96	547	116	624	158	787	283	1267
350	50	378	98	560	118	637	160	800	285	1280
400	52	391	100	573	120	650	162	813	287	1293
450	53	404	101	586	121	663	163	826	288	1306
500	55	417	103	599	123	676	165	839	290	1319
550	57	430	105	612	125	689	167	852	292	1332
600	58	443	106	625	126	702	168	865	293	1345

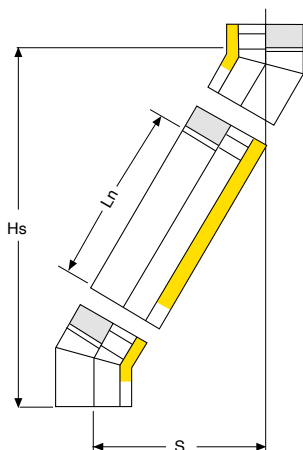


$$(Ln \times 0,25) + S_0 = S$$

$$(Ln \times 0,96) + H_0 = H_s$$

### DISASSAMENTO CON DOPPIA CURVA 30° CENTER OFFSET WITH DOUBLE 30° ELBOW

# 30°



$$(Ln \times 0,50) + S_0 = S$$

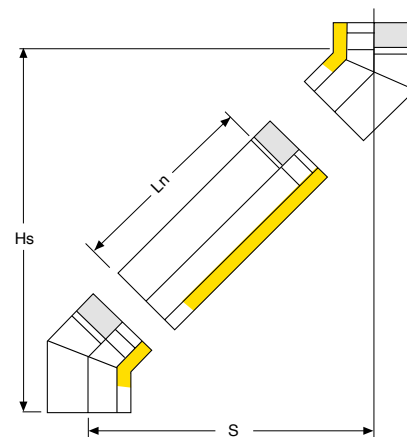
$$(Ln \times 0,86) + H_0 = H_s$$

DOPPIA PARETE DOUBLE WALL EDILISO 50 Ø	0 m		0,25 m		0,33 m		0,50 m		1 m	
	S <sub>0</sub>	H <sub>0</sub>	S	H <sub>s</sub>	S	H <sub>s</sub>	S	H <sub>s</sub>	S	H <sub>s</sub>
80	90	336	185	499	225	568	310	714	560	1144
100	93	346	188	509	228	578	313	724	563	1154
130	97	361	192	524	232	593	317	739	567	1169
150	100	371	195	534	235	603	320	749	570	1179
180	104	386	199	549	239	618	324	764	574	1194
200	106	396	201	559	241	628	326	774	576	1204
250	113	421	208	584	248	653	333	799	583	1229
300	120	446	215	609	255	678	340	824	590	1254
350	126	471	221	634	261	703	346	849	596	1279
400	133	496	228	659	268	728	353	874	603	1304
450	140	521	235	684	275	753	360	899	610	1329
500	146	546	241	709	281	778	366	924	616	1354
550	153	571	248	734	288	803	373	949	623	1379
600	160	596	255	759	295	828	380	974	630	1404

### DISASSAMENTO CON DOPPIA CURVA 45° CENTER OFFSET WITH DOUBLE 45° ELBOW

# 45°

DOPPIA PARETE DOUBLE WALL EDILISO 50 Ø	0 m		0,25 m		0,33 m		0,50 m		1 m	
	S <sub>0</sub>	H <sub>0</sub>	S	H <sub>s</sub>	S	H <sub>s</sub>	S	H <sub>s</sub>	S	H <sub>s</sub>
80	147	354	281	488	338	545	458	665	812	1019
100	153	369	287	503	344	560	464	680	818	1034
130	161	390	295	524	352	581	472	701	826	1055
150	167	404	301	538	358	595	478	715	832	1069
180	176	425	310	559	367	616	487	736	841	1090
200	182	439	316	573	373	630	493	750	847	1104
250	197	475	331	609	388	666	508	786	862	1140
300	211	510	345	644	402	701	522	821	876	1175
350	226	545	360	679	417	736	537	856	891	1210
400	241	581	375	715	432	772	552	892	906	1246
450	255	616	389	750	446	807	566	927	920	1281
500	270	651	404	785	461	842	581	962	935	1316
550	284	687	418	821	475	878	595	998	949	1352
600	299	722	433	856	490	913	610	1033	964	1387



$$(Ln \times 0,71) + S_0 = S$$

$$(Ln \times 0,71) + H_0 = H_s$$

1 m Ln = 940 mm  
0,50 m Ln = 440 mm  
0,33 m Ln = 270 mm  
0,25 m Ln = 190 mm