



EdilPPex

MONOPARETE POLIPROPILENE
POLYPROPYLENE SINGLE WALL

EdilPPex



SISTEMA MONOPARETE EdilPPex

Il sistema **monoparete EdilPPex** è composto da elementi componibili rigidi e flessibili, realizzati in polipropilene arricchito bianco di spessore minimo 1 mm, conformi agli standard previsti dalla marcatura CE secondo la normativa EN 14471. Gli elementi modulari hanno innesto classico a bicchiere maschio-femmina calibrato con guarnizione di tenuta a triplice labbro, conforme alla normativa europea EN 14241-1.

Il sistema è adatto a ricevere i fumi con temperatura massima di esercizio fino a 120 °C e pressione positiva P1 pari a 200 Pa.

Riferimento normativo e designazione

Marcatura prodotto secondo normativa europea CE 0476 EN 14471.

Ø 50 ÷ 100	T120 P1 W 2 O00 LI E U T120 H1 W 2 O00 LI E U
Ø 125 ÷ 160	T120 P1 W 2 O00 LI E U T120 H1 W 2 O00 LI E U
Ø 200	T120 P1 W 2 O00 LI E U T120 H1 W 2 O00 LI E U

Utilizzo

Sistema fumario e canale da fumo plastico asserviti a generatori a condensazione, cappe cucina per uso domestico.

Applicazione

Installazione interna.

Diametri disponibili - mm

50 - 60 - 80 - 100 - 125 - 160 - 200

Guarnizione in EPDM compresa e montata.

SINGLE WALL EdilPPex SYSTEM

Single wall EdilPPex system is composed by modular rigid and flexible elements, made of white polypropylene, minimum thickness of 1 mm, according to the standards set out by the European CE mark, EN 14471. The modular elements have classic male-female junction calibrated with triple seal lip gasket, conforming to European standard EN 14241-1.

The system is suitable to receive flue gases with a maximum operating temperature of 120 °C and positive pressure P1 equal to 200 Pa.

Normative references and designation

Product marking according to the European standard CE 0476 EN 14471.

Ø 50 ÷ 100	T120 P1 W 2 O00 LI E U T120 H1 W 2 O00 LI E U
Ø 125 ÷ 160	T120 P1 W 2 O00 LI E U T120 H1 W 2 O00 LI E U
Ø 200	T120 P1 W 2 O00 LI E U T120 H1 W 2 O00 LI E U

Utilizations

Flue systems and flue duct subservient to condensation generators, domestic kitchen hoods.

Application

Internal installation.

Available diameters - mm

50 - 60 - 80 - 100 - 125 - 160 - 200

All the items are complete of EPDM seal.

POLIPROPILENE PPs - POLYPROPYLENE PPs

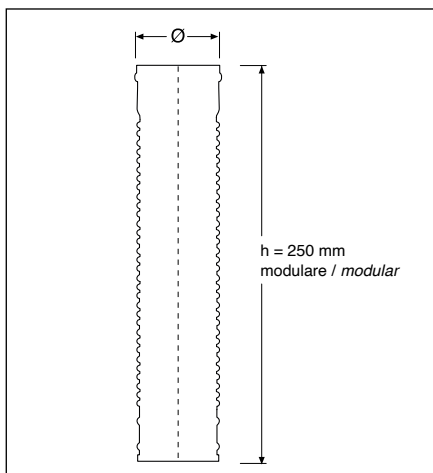
EIKPFLEX...

NEW STANDARD

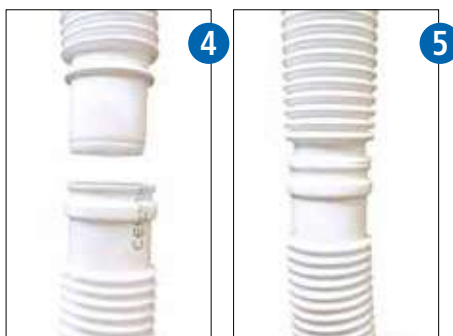
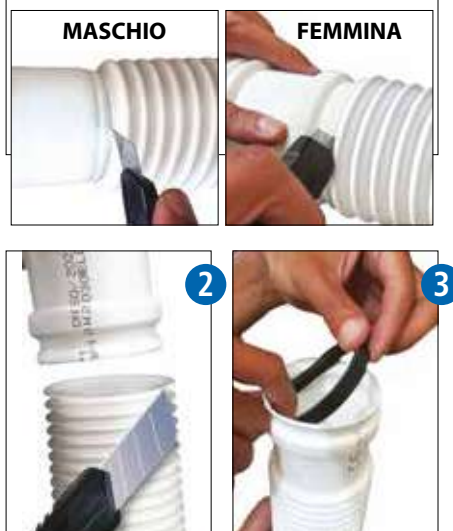


Rotolo tubo flessibile in polipropilene STANDARD.

Polypropylene flexible pipe coil STANDARD.



Ø	COD.	ROTOLO - COIL		
		m	ROTOLO COIL	PCS PALLET
• 60	EIKPFLEX060	50	1	5
• 80	EIKPFLEX080	50	1	5
• 100	EIKPFLEX100	25	1	4
125	EIKPFLEX125	25	1	4
160	EIKPFLEX160	25	1	4
60	EIKPFLEX25/060	25	1	8 *
80	EIKPFLEX25/080	25	1	8 *



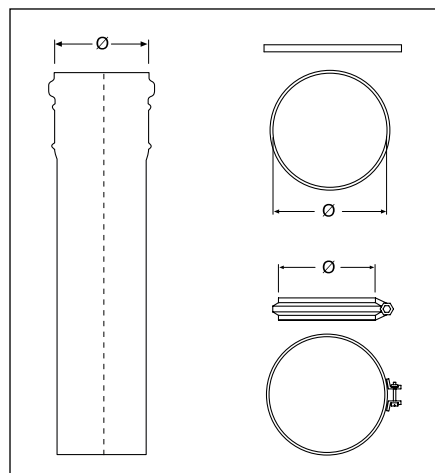
ACCESSORI STANDARD - STANDARD FITTINGS

EIKPLKITGF...



Kit raccordo flex femmina (composto da raccordo rigido, fascetta e guarnizione).

Female flex kit connector (consisting of rigid fitting, locking band and seal).



Ø	COD.	PCS
60	EIKPLKITGF060	1
80	EIKPLKITGF080	1
100	EIKPLKITGF100	1
125	EIKPLKITGF125	#
160	EIKPLKITGF160	#



• Imballaggio in scatola
Packing in box

* A richiesta
On request

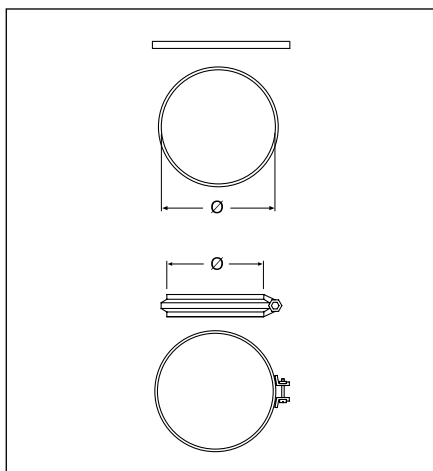
Non disponibile
Not available

EIKKITCONNECT...



Kit di collegamento flex / rigido maschio.

Male rigid / flex connection kit.



Ø	COD.	PCS
60	EIKKITCONNECT060	1
80	EIKKITCONNECT080	1
100	EIKKITCONNECT100	1
125	EIKKITCONNECT125	#
160	EIKKITCONNECT160	#

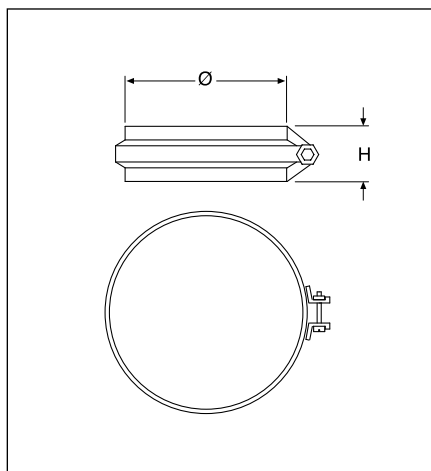


EIKPFACSS5V...



Fascetta di sicurezza per collegamento PP / PP o PP / inox.

Locking band for connection PP / PP or PP / stainless steel.



Ø	COD.	H	PCS
60	EIKPFACSS5V060	30	1
80	EIKPFACSS5V080	30	1
100	EIKPFACSS5V100	30	1
125	EIKPFACSS5V125	30	1
160	EIKPFACSS5V160	#	#

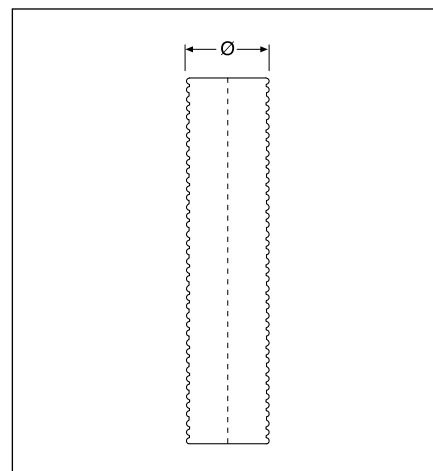


EIKPFLEXSB...



Rotolo tubo flessibile in polipropilene TUTTOCORRUGATO.

Polypropylene flexible pipe coil ALL-CORRUGATED.



Ø	COD.	ROTOLO - COIL		
		m	ROTOLO COIL	PCS PALLET
50	EIKPFLEXSB050	50	1	5
60	EIKPFLEXSB060	50	1	5
80	EIKPFLEXSB080	50	1	5
100	EIKPFLEXSB100	#	#	#
125	EIKPFLEXSB125	#	#	#
160	EIKPFLEXSB160	#	#	#
200	EIKPFLEXSB200	30	1	-

POLIPROPILENE PPs - POLYPROPYLENE PPs

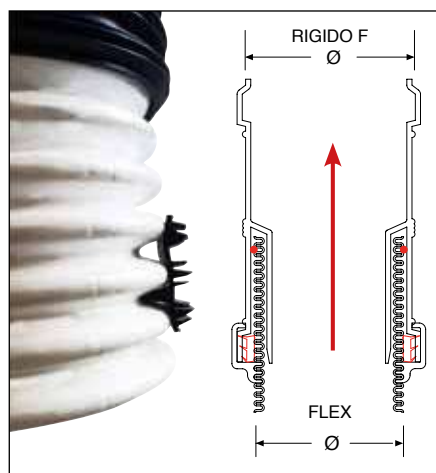
ACCESSORI TUTTOCORRUGATO - ALL-CORRUGATED FITTINGS

EIKPLGFU...



Giunto flex rigido femmina.

Flex adaptor rigid female.



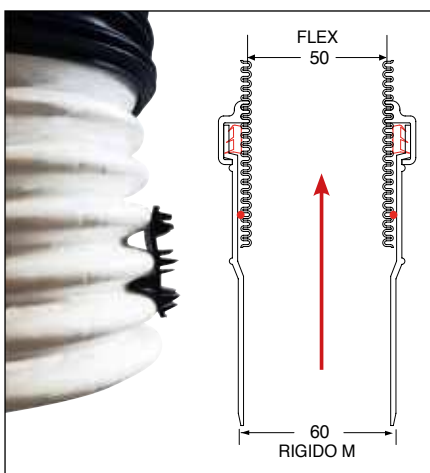
Ø FLEX	Ø RIGIDO F	COD.	H	PCS
50	50	EIKPLGFU05	110	1
50	60	EIKPLGFU0506	110	1
50	80	EIKPLGFU0508	110	1
▶ 60	60	EIKPLGFU06	#	#
▶ 80	80	EIKPLGFU08	#	#
▶ 100	100	EIKPLGFU10	#	#
125	125	EIKPLGFU125	#	#
160	160	EIKPLGFU16	#	#
200	200	EIKPLGFU20	110	1

EIKPLGM...



Giunto flex maschio.

Male flex adaptor.



Ø FLEX	Ø RIGIDO M	COD.	H	PCS
50	50	EIKPLGM05	105	1
50	60	EIKPLGM0506	105	1
50	80	EIKPLGM0508	105	1
60	60	EIKPLGM06	105	1
80	80	EIKPLGM08	105	1
100	100	EIKPLGM10	#	#
125	125	EIKPLGM125	#	#
160	160	EIKPLGM16	#	#
200	200	EIKPLGM20	105	1



▶ Se necessario, utilizzare il kit EXPLKITGF... a pag. 57
If necessary, use the kit EXPLKITGF... on page 57



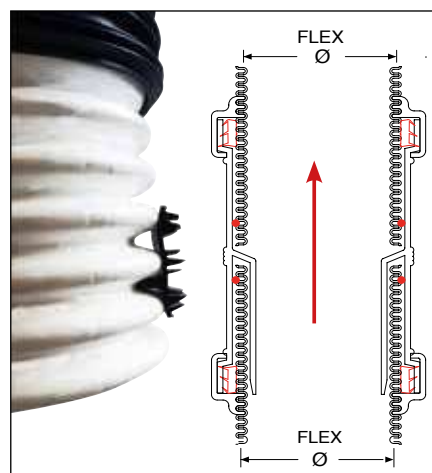
LE FOTO SONO PURAMENTE INDICATIVE
THE PICTURES ARE ONLY INDICATIVE

EIKPLFX...



Giunto flex flex anticondensa.

Flex flex joiner anti-condensation.



Ø	COD.	H	PCS
50	EIKPLFX05	110	1
60	EIKPLFX06	#	#
80	EIKPLFX08	#	#
100	EIKPLFX10	#	#
125	EIKPLFX125	#	#
160	EIKPLFX16	#	#



* A richiesta
On request

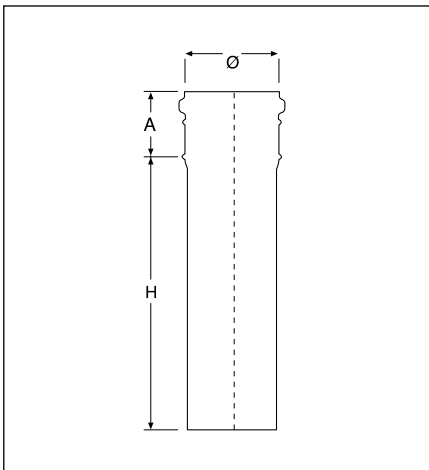
Non disponibile
Not available

EIKPTA20S...



Elemento lineare da 2 m.

Pipe 2 m.



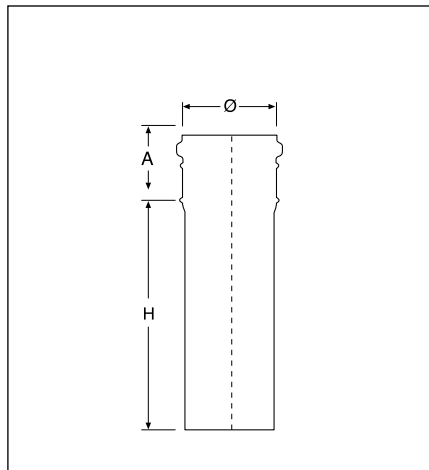
Ø	COD.	A	H	PCS	PCS PALLET
50	EIKPTA20S050	50	1950	36	216
60	EIKPTA20S060	50	1950	36	216
80	EIKPTA20S080	50	1950	20	120
100	EIKPTA20S100	50	1950	13	78
125	EIKPTA20S125	50	1950	9	54
160	EIKPTA20S160	50	1950	5	30
200	EIKPTA20S200	50	1950	3	18

EIKPTA1S...



Elemento lineare da 1 m.

Pipe 1 m.



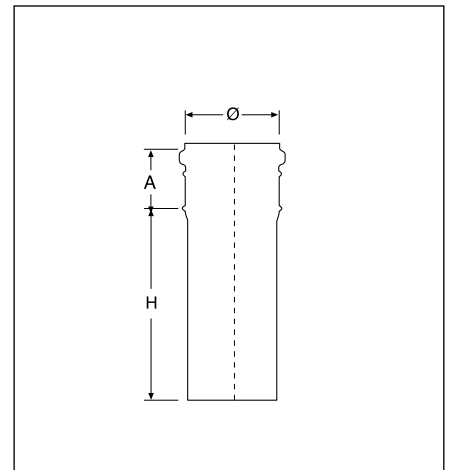
Ø	COD.	A	H	PCS	PCS PALLET
50	EIKPTA1S050	50	950	36	216
60	EIKPTA1S060	50	950	36	216
80	EIKPTA1S080	50	950	20	120
100	EIKPTA1S100	50	950	13	78
125	EIKPTA1S125	50	950	9	54
160	EIKPTA1S160	50	950	5	30
200	EIKPTA1S200	50	950	3	18

EIKPTA5S...



Elemento lineare da 0,50 m.

Pipe 0.50 m.



Ø	COD.	A	H	PCS
50	EIKPTA5S050	50	450	36
60	EIKPTA5S060	50	450	36
80	EIKPTA5S080	50	450	20
100	EIKPTA5S100	50	450	13
125	EIKPTA5S125	50	450	9
160	EIKPTA5S160	50	450	5
200	EIKPTA5S200	50	450	3

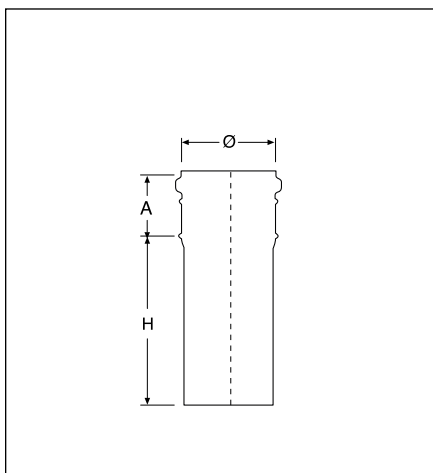
POLIPROPILENE PPs - POLYPROPYLENE PPs

EIKPTA2S...



Elemento lineare da 0,25 m.

Pipe 0.25 m.



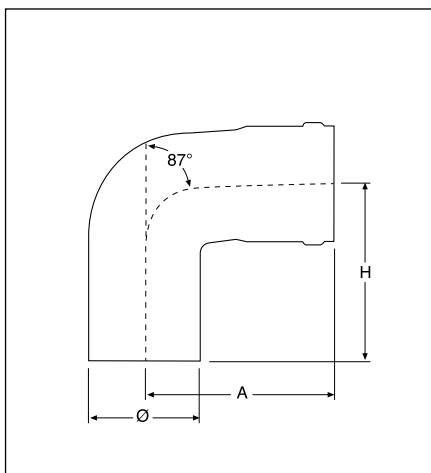
Ø	COD.	A	H	PCS
50	EIKPTA2S050	50	200	36
60	EIKPTA2S060	50	200	36
80	EIKPTA2S080	50	200	20
100	EIKPTA2S100	50	200	13
125	EIKPTA2S125	50	200	9
160	EIKPTA2S160	50	200	5
200	EIKPTA2S200	50	200	3

EIKPGA87S...



Curva a 87°.

Elbow 87°.



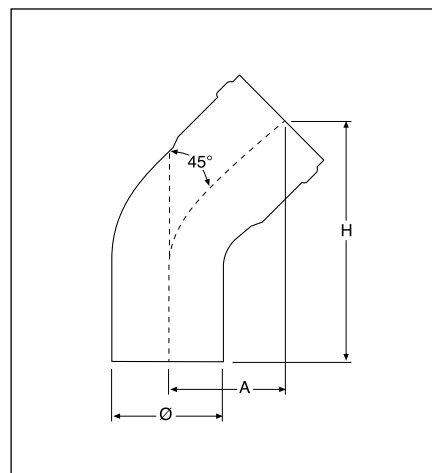
Ø	COD.	A	H	PCS
50	EIKPGA87S050	80	83	22
60	EIKPGA87S060	100	103	22
80	EIKPGA87S080	110	113	22
100	EIKPGA87S100	120	136	10
125	EIKPGA87S125	160	147	5
160	EIKPGA87S160	160	170	5
200	EIKPGA87S200	185	200	4

EIKPGA45S...



Curva a 45°.

Elbow 45°.



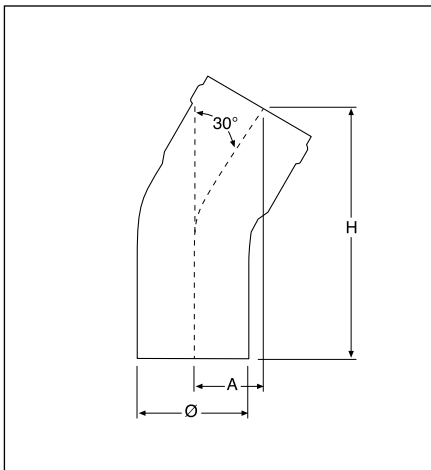
Ø	COD.	A	H	PCS
50	EIKPGA45S050	50	100	25
60	EIKPGA45S060	65	150	25
80	EIKPGA45S080	65	150	25
100	EIKPGA45S100	75	175	12
125	EIKPGA45S125	84	202	6
160	EIKPGA45S160	84	202	1
200	EIKPGA45S200	128	309	1

EIKPGA30S...



Curva a 30°.

Elbow 30°.



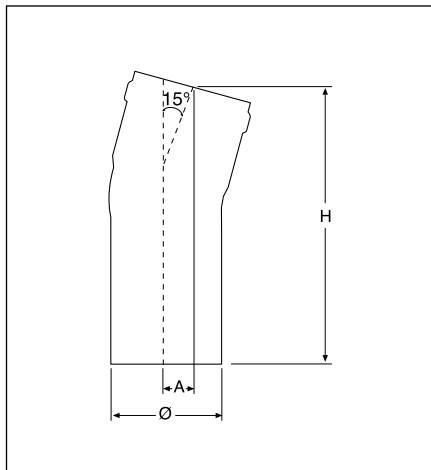
Ø	COD.	A	H	PCS
50	EIKPGA30S050	#	#	#
60	EIKPGA30S060	38	125	1
80	EIKPGA30S080	38	125	1
100	EIKPGA30S100	45	146	1
125	EIKPGA30S125	59	187	1
160	EIKPGA30S160	59	187	1
200	EIKPGA30S200	59	157	1

EIKPGA15S... *



Curva a 15°.

Elbow 15°.



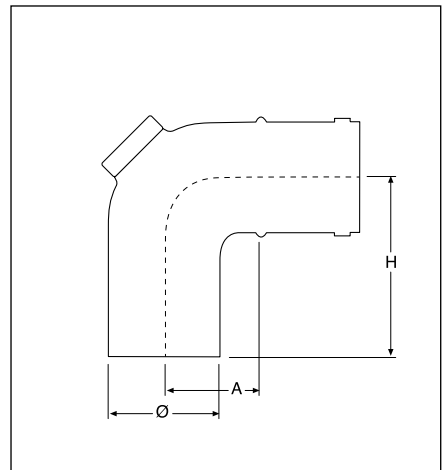
Ø	COD.	A	H	PCS
50	EIKPGA15S050	#	#	#
60	EIKPGA15S060	*	*	1
80	EIKPGA15S080	*	*	1
100	EIKPGA15S100	*	*	1
125	EIKPGA15S125	*	*	1
160	EIKPGA15S160	*	*	1
200	EIKPGA15S200	*	*	1

EIKPGA90SI...



Curva a 90° con ispezione.

Elbow 90° with inspection point.



Ø	COD.	A	H	PCS	
50	EIKPGA90SI050	#	#	#	
60	EIKPGA90SI060	100	103	10	
80	EIKPGA90SI080	110	113	10	
100	EIKPGA90SI100	120	136	10	
*	125	EIKPGA90SI125	160	147	1
*	160	EIKPGA90SI160	160	170	1
*	200	EIKPGA90SI200	185	200	1

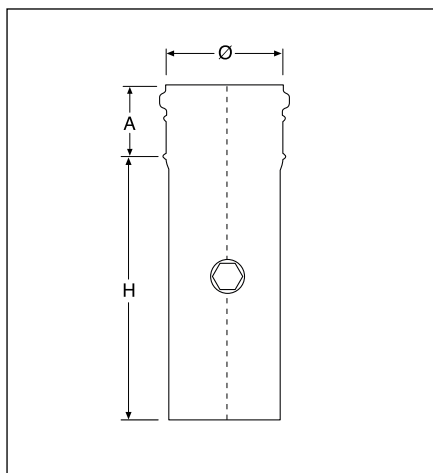
POLIPROPILENE PPs - POLYPROPYLENE PPs

EIKPPF...



Elemento per prelievo fumi.

Fumes test section with threaded sleeve.



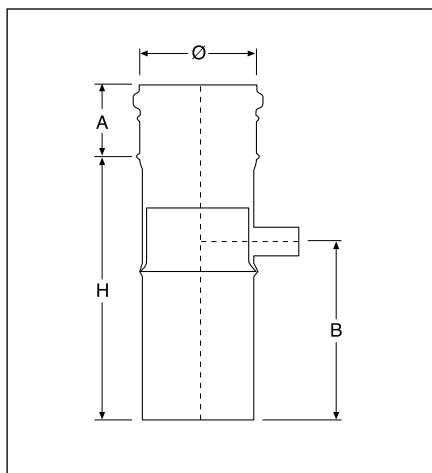
Ø	COD.	A	H	PCS
50	EIKPPF050	#	#	#
60	EIKPPF060	50	200	1
80	EIKPPF080	50	200	1
100	EIKPPF100	50	200	1
125	EIKPPF125	50	200	1
160	EIKPPF160	50	200	1
200	EIKPPF200	50	200	1

EIKPDRC...



Elemento per drenaggio condensa.

Pipe with condense drain.



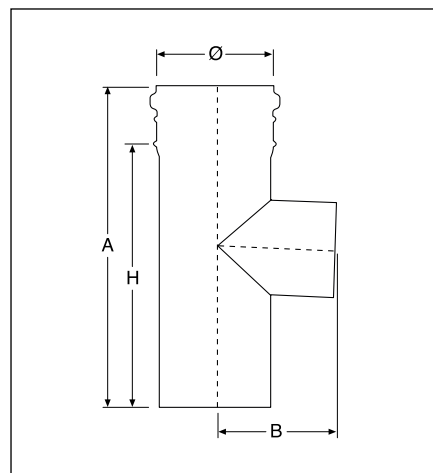
Ø	COD.	A	B	H	PCS
50	EIKPDRC050	#	#	#	#
* 60	EIKPDRC060	50	138	200	1
80	EIKPDRC080	50	138	200	1
* 100	EIKPDRC100	50	138	200	1
* 125	EIKPDRC125	50	138	200	1
* 160	EIKPDRC160	50	138	200	1
* 200	EIKPDRC200	50	138	200	1

EIKPT69S...



Raccordo a "T" 87°.

87° tee.



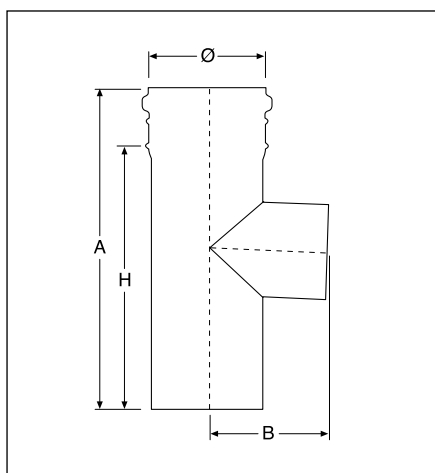
Ø	COD.	A	B	H	PCS
50	EIKPT69S050	#	#	#	#
60	EIKPT69S060	240	100	180	14
80	EIKPT69S080	325	110	180	14
100	EIKPT69S100	325	120	265	10
125	EIKPT69S125	325	132	265	4
160	EIKPT69S160	325	150	265	5
200	EIKPT69S200	366	170	306	4

EIKPT69SU...



Raccordo a "T" 87° uscita monoparete ridotta a Ø 80 mm.

Tee 87° reduced Ø 80 mm single wall.



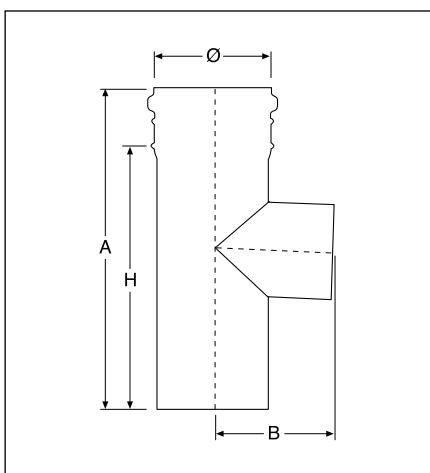
Ø	COD.	A	B	H	PCS
50	EIKPT69SU050	#	#	#	#
60	EIKPT69SU060	#	#	#	#
80	EIKPT69SU080	#	#	#	#
100	EIKPT69SU100	325	120	265	10
125	EIKPT69SU125	325	132	265	4
160	EIKPT69SU160	325	150	265	4
200	EIKPT69SU200	366	170	306	4

EIKPT69SU100...



Raccordo a "T" 87° uscita monoparete ridotta a Ø 100 mm.

Tee 87° reduced Ø 100 mm single wall.



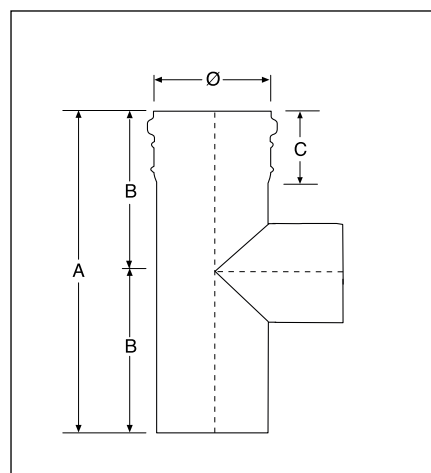
Ø	COD.	A	B	H	PCS
50	EIKPT69SU100050	#	#	#	#
60	EIKPT69SU100060	#	#	#	#
80	EIKPT69SU100080	#	#	#	#
100	EIKPT69SU100100	#	#	#	#
125	EIKPT69SU100125	325	132	265	4
160	EIKPT69SU100160	325	150	265	4
200	EIKPT69SU100200	366	170	306	4

EIKPISPT...



Elemento intermedio per ispezione.

Inspection pipe with round door.



Ø	COD.	A	B	C	PCS
50	EIKPISPT050	#	#	#	#
60	EIKPISPT060	250	125	20	1
80	EIKPISPT080	250	125	20	1
100	EIKPISPT100	250	125	20	1
125	EIKPISPT125	250	125	20	1
160	EIKPISPT160	250	125	20	1
200	EIKPISPT200	250	125	20	1

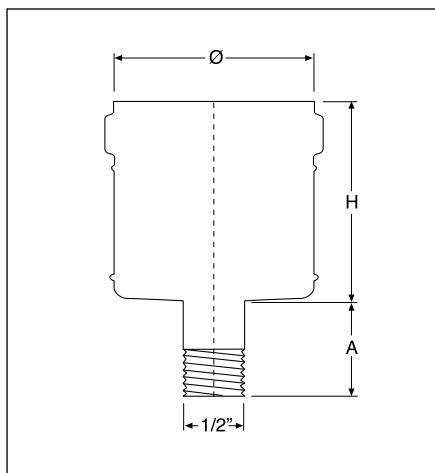
POLIPROPILENE PPs - POLYPROPYLENE PPs

EIKPCARSS...



Scarico condensa.

Tee cap with condense drain.



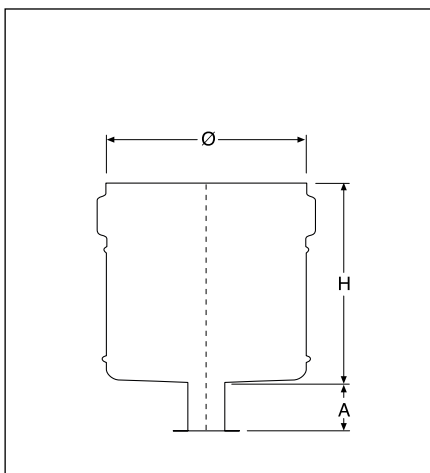
Ø	COD.	A	H	PCS
50	EIKPCARSS050	#	#	#
60	EIKPCARSS060	30	64	20
80	EIKPCARSS080	30	64	20
100	EIKPCARSS100	30	64	20
125	EIKPCARSS125	30	64	1
160	EIKPCARSS160	30	64	1
200	EIKPCARSS200	30	64	1

EIKPTC...



Tappo cieco.

Tee cap.



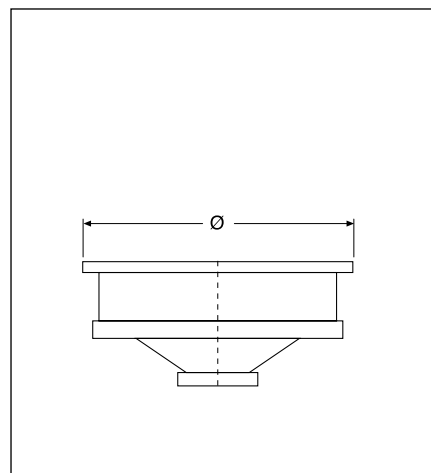
Ø	COD.	A	H	PCS
50	EIKPTC050	#	#	#
60	EIKPTC060	10	64	20
80	EIKPTC080	10	64	20
100	EIKPTC100	10	64	20
125	EIKPTC125	10	64	1
160	EIKPTC160	10	64	1
200	EIKPTC200	10	64	1

EIKTAPPOESP...



Tappo ad espansione.

Expansion cap.



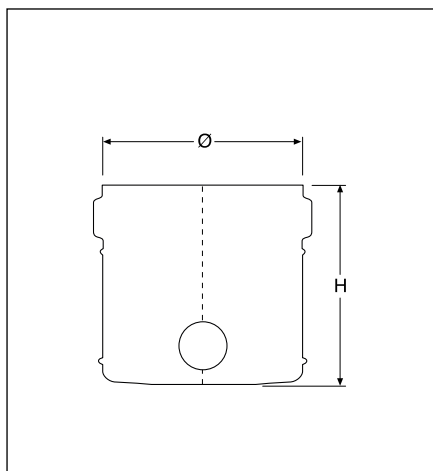
Ø	COD.	PCS
50	EIKTAPPOESP050	#
60	EIKTAPPOESP060	#
80	EIKTAPPOESP080	20
100	EIKTAPPOESP100	20
125	EIKTAPPOESP125	#
160	EIKTAPPOESP160	#
200	EIKTAPPOESP200	#

EIKPCARSSLAT...



Piastra di partenza con scarico laterale.

Base plate with drain plug.



Ø	COD.	H	PCS
50	EIKPCARSSLAT05	#	#
60	EIKPCARSSLAT06	60	20
80	EIKPCARSSLAT08	60	20
100	EIKPCARSSLAT10	60	20
125	EIKPCARSSLAT125	#	#
160	EIKPCARSSLAT16	#	#
200	EIKPCARSSLAT20	#	#

EIKCLVPSIFONE



Sifone.

Siphon.

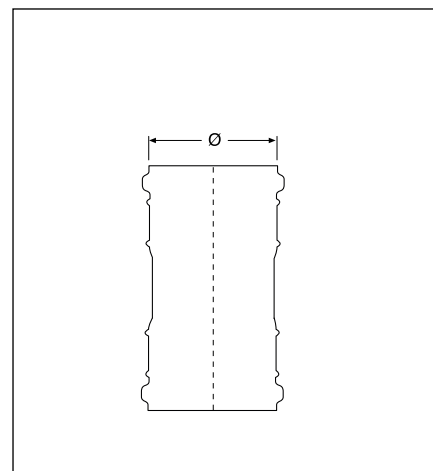
COD.	PCS
EIKCLVPSIFONE	1

EIKPFFA...



Doppio bicchiere femmina.

Double female element.



Ø	COD.	PCS
50	EIKPFFA050	#
60	EIKPFFA060	1
80	EIKPFFA080	1
100	EIKPFFA100	1
125	EIKPFFA125	1
160	EIKPFFA160	1
200	EIKPFFA200	1

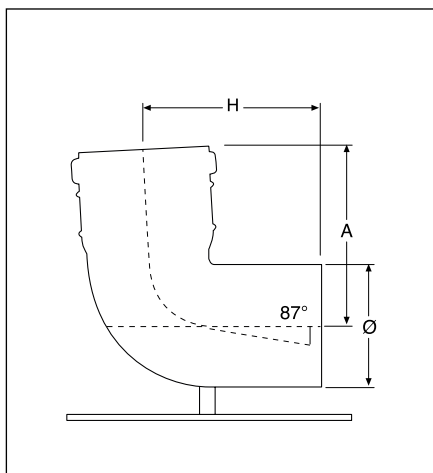
POLIPROPILENE PPs - POLYPROPYLENE PPs

EIKPL54A...



Curva a 87° con staffa di supporto metallica.

Elbow 87° with metallic fixing plate.



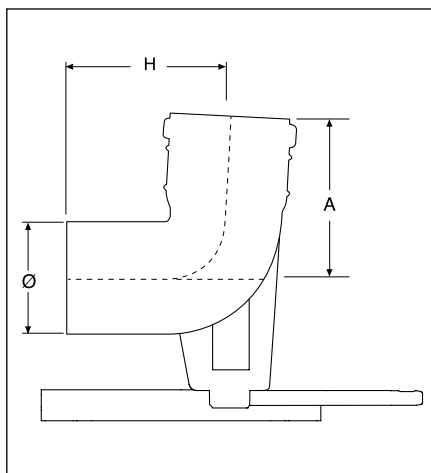
Ø	COD.	A	H	PCS
50	EIKPL54A050	#	#	#
60	EIKPL54A060	100	43	1
80	EIKPL54A080	110	53	1
100	EIKPL54A100	120	76	1
125	EIKPL54A125	#	#	#
160	EIKPL54A160	#	#	#
200	EIKPL54A200	#	#	#

EIKPGA87SCSS... *



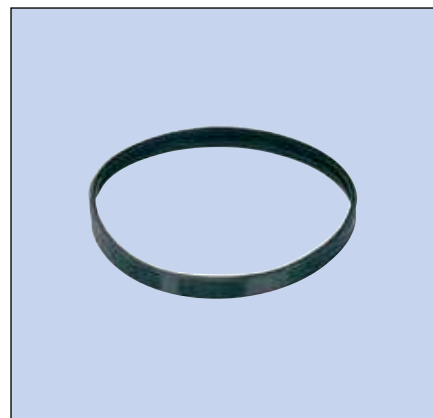
Curva a 87° con staffa di supporto.

Elbow 87° with fixing plate.



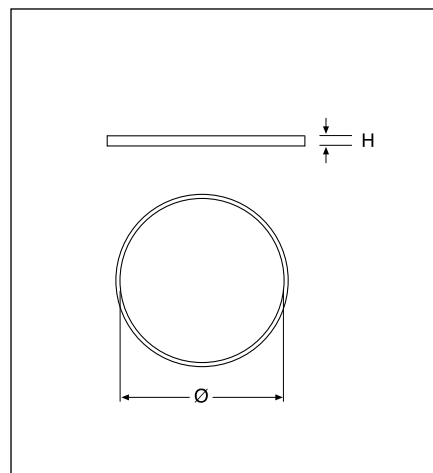
Ø	COD.	A	H	PCS
50	EIKPGA87SCSS050	#	#	#
60	EIKPGA87SCSS060	116	112	1
80	EIKPGA87SCSS080	116	112	1
100	EIKPGA87SCSS100	116	112	1
125	EIKPGA87SCSS125	116	112	1
160	EIKPGA87SCSS160	116	112	1
200	EIKPGA87SCSS200	116	112	1

EIK3GN...



Guarnizione nera in EPDM.

Seal in EPDM black.



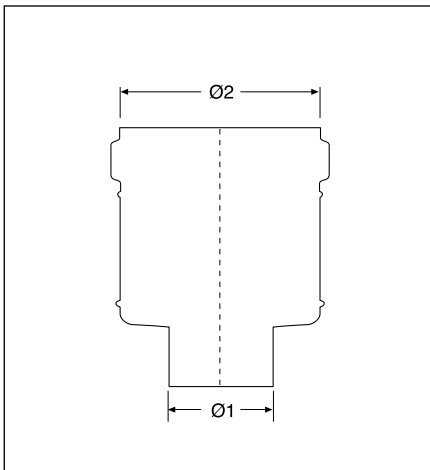
Ø	COD.	H	PCS
50	EIK3GN050	#	#
60	EIK3GN060	10	6
80	EIK3GN080	10	6
100	EIK3GN100	10	6
125	EIK3GN125	10	6
160	EIK3GN160	10	6
200	EIK3GN200	10	6

EIKPAUM.....



Aumento di diametro.

Increaser.



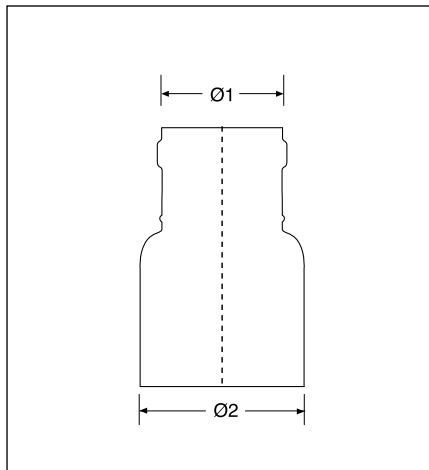
Ø1	Ø2	COD.	PCS
50	60	EIKPAUM050060	20
60	80	EIKPAUM060080	20
80	100	EIKPAUM080100	20
80	125	EIKPAUM080125	1
100	125	EIKPAUM100125	1
125	160	EIKPAUM125160	1
160	200	EIKPAUM160200	1

EIKPRID.....



Riduzione di diametro.

Reducer.



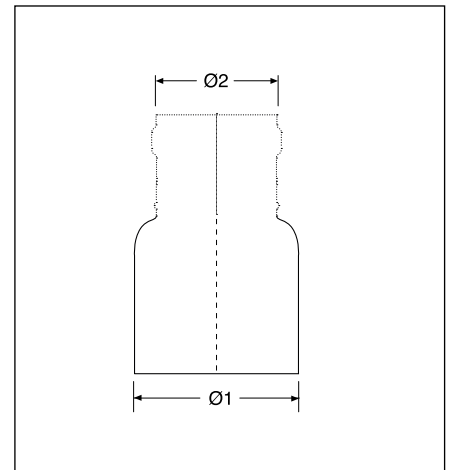
Ø1	Ø2	COD.	PCS
80	50	EIKPRID080050	1
80	60	EIKPRID080060	1
100	60	EIKPRID100060	1
100	80	EIKPRID100080	1
125	100	EIKPRID125100	

EIKPRIDS.....



Riduzione di diametro a scomparsa.

Retractable reducer.



Ø1	Ø2	COD.	PCS
60	50	EIKPRIDS060050	1
80	50	EIKPRIDS080050	1
80	60	EIKPRIDS080060	1

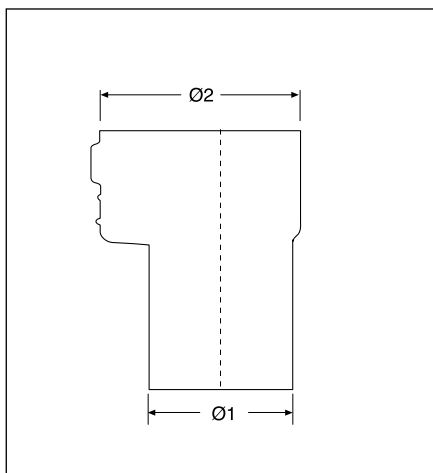
POLIPROPILENE PPs - POLYPROPYLENE PPs

EIKPLEC91..... *



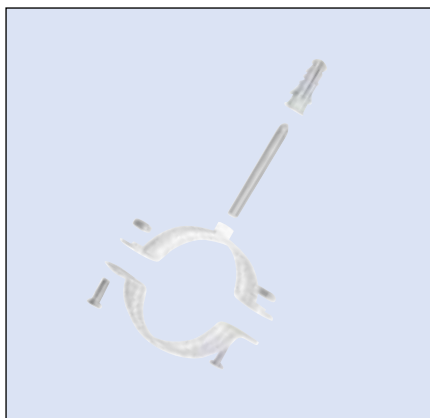
Aumento di diametro eccentrico.

Eccentric increaser.



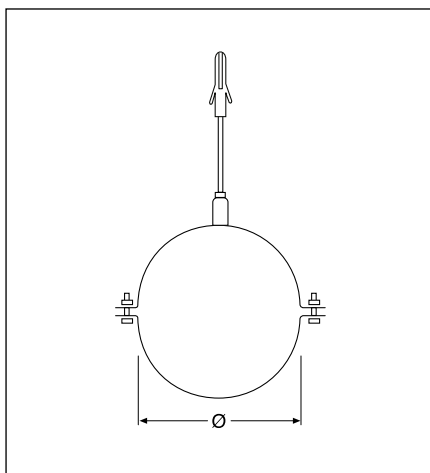
Ø1	Ø2	COD.	PCS
50	60	EIKPLEC910506	#
60	80	EIKPLEC910608	1
80	100	EIKPLEC910810	1
80	125	EIKPLEC9108125	1
100	125	EIKPLEC91100125	1
100	160	EIKPLEC91100160	1
160	200	EIKPLEC91160200	1

EIKCFTB...



Collare a muro bianco con tassello.

White wall bracket with anchor bolt.



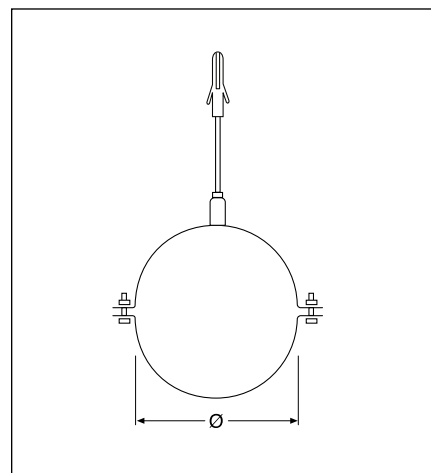
Ø	COD.	PCS
50	EIKCFTB050	#
60	EIKCFTB060	10
80	EIKCFTB080	10
100	EIKCFTB100	10
125	EIKCFTB125	10
160	EIKCFTB160	#
200	EIKCFTB200	#

EIKCFT...



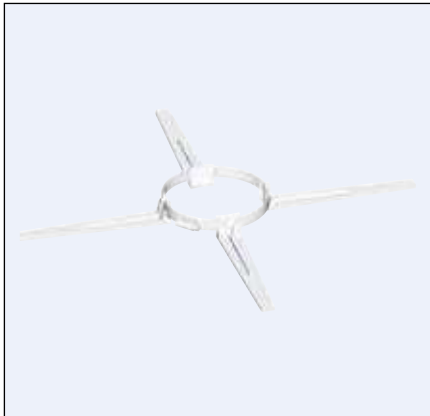
Collare a muro inox con tassello.

Wall bracket in stainless steel with anchor bolt.



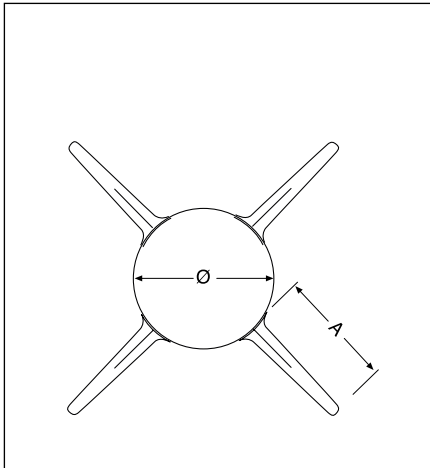
Ø	COD.	PCS
50	EIKCFT050	#
60	EIKCFT060	1
80	EIKCFT080	1
100	EIKCFT100	1
125	EIKCFT125	1
160	EIKCFT160	1
200	EIKCFT200	1

EIKPCD...



Crociera di centraggio.

Centring bracket.



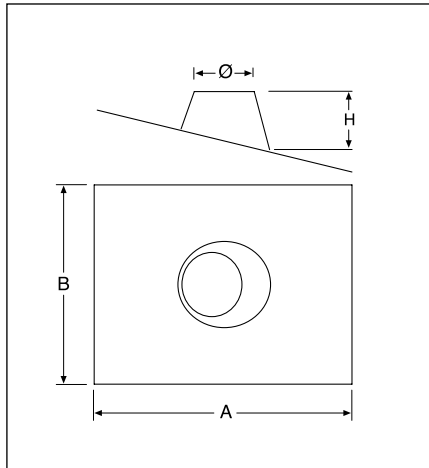
Ø	COD.	A	PCS
50	EIKPCD050	#	#
60	EIKPCD060	170	1
80	EIKPCD080	170	1
100	EIKPCD100	170	1

EIKFPS5SAL...



Faldale regolabile da 5° a 30° con base in alluminio.

Adjustable flashing from 5° to 30° with aluminum base.



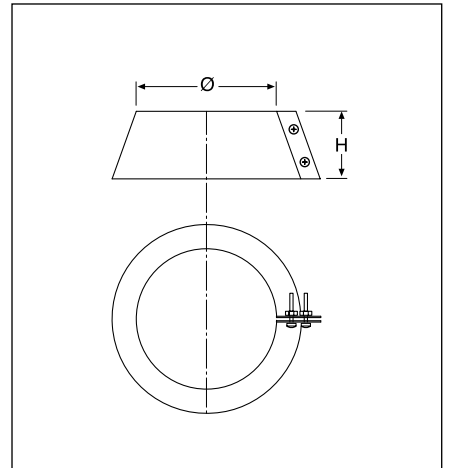
Ø	COD.	A	B	H	PCS
50	EIKFPS5SAL050	#	#	#	#
60	EIKFPS5SAL060	750	450	120	1
80	EIKFPS5SAL080	750	450	120	1
100	EIKFPS5SAL100	750	450	120	1
125	EIKFPS5SAL125	850	550	130	1
160	EIKFPS5SAL160	850	550	160	1
200	EIKFPS5SAL200	1000	650	180	1

EIKFAPS2S...



Fascetta anti intemperie inox.

Storm collar in stainless steel.



Ø	COD.	H	PCS
50	EIKFAPS2S050	#	#
60	EIKFAPS2S060	100	1
80	EIKFAPS2S080	100	1
100	EIKFAPS2S100	100	1
125	EIKFAPS2S125	100	1
160	EIKFAPS2S160	100	1
200	EIKFAPS2S200	100	1

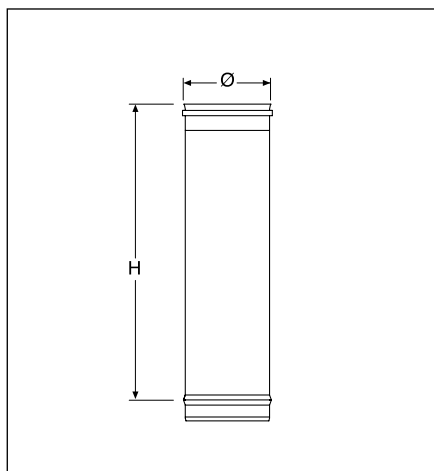
POLIPROPILENE PPs - POLYPROPYLENE PPs

EIKTA1S...



Elemento lineare da 1 m inox.

Pipe 1 m in stainless steel.



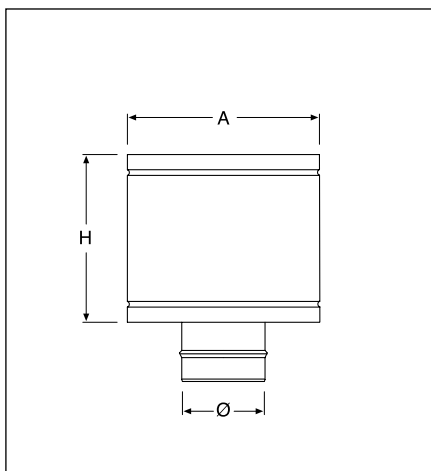
Ø	COD.	H	PCS
50	EIKTA1S050	940	6
60	EIKTA1S060	940	6
80	EIKTA1S080	940	6
100	EIKTA1S100	940	6
125	EIKTA1S125	940	1
160	EIKTA1S160	940	1
200	EIKTA1S200	940	1

EIKTAPSS...



Terminale anti intemperie inox.

Anti draught terminal in stainless steel.



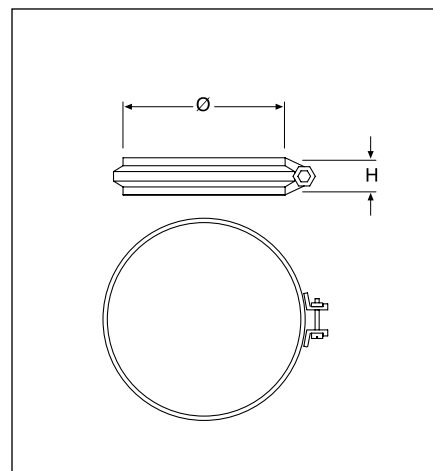
Ø	COD.	A	H	PCS
50	EIKTAPSS050	#	#	#
60	EIKTAPSS060	#	#	#
80	EIKTAPSS080	185	165	1
100	EIKTAPSS100	185	165	1
125	EIKTAPSS125	260	200	1
160	EIKTAPSS160	303	200	1
200	EIKTAPSS200	370	250	1

EIKFACSS...



Fascetta di sicurezza inox.

Locking band in stainless steel.



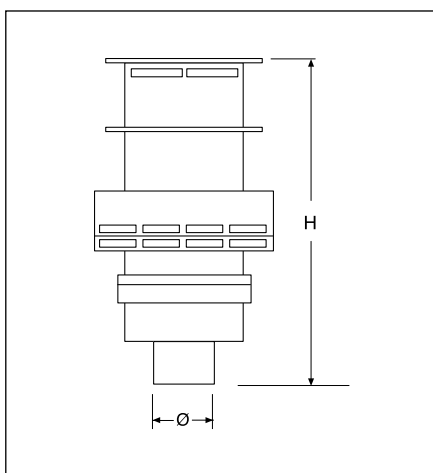
Ø	COD.	H	PCS
50	EIKFACSS050	#	#
60	EIKFACSS060	20	6
80	EIKFACSS080	20	6
100	EIKFACSS100	20	6
125	EIKFACSS125	20	6
160	EIKFACSS160	20	6
200	EIKFACSS200	20	6

EIKIPALU74A... *



Terminale verticale per comignolo piano.

Vertical terminal for flat chimney.



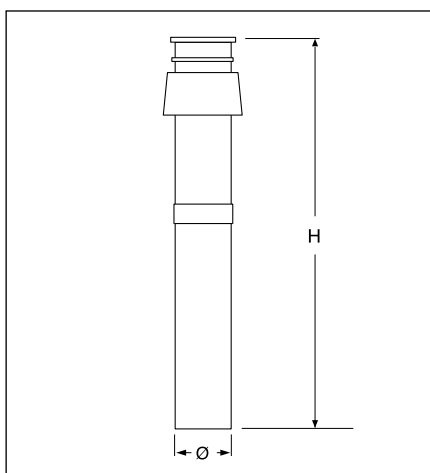
Ø	COD.	H	PCS
50	EIKIPALU74A050	#	#
60	EIKIPALU74A060 ■	800	1
80	EIKIPALU74A080 ■	716	1
100	EIKIPALU74A100 ■	570	1
125	EIKIPALU74A125	620	1
160	EIKIPALU74A160	#	#
200	EIKIPALU74A200	#	#

EIKCPALUTAD... *



Terminale verticale coassiale per tetto inclinato.

Vertical coax terminal for sloping roof.



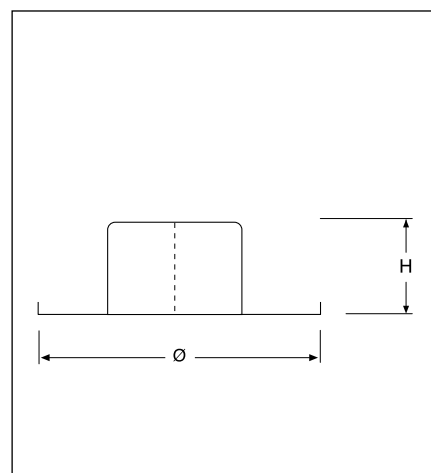
Ø	COD.	H	PCS
60	EIKCPALUTAD060	1000	1
80	EIKCPALUTAD080	1200	1

EIKALU76A08125



Tegola piana universale in alluminio naturale con base tonda.

Universal flat flashing in natural aluminum with round base.



Ø	COD.	H	PCS
60	EIKALU76A08125	110	1
80	EIKALU76A08125	110	1
100	EIKALU76A08125	110	1
125	EIKALU76A08125	110	1



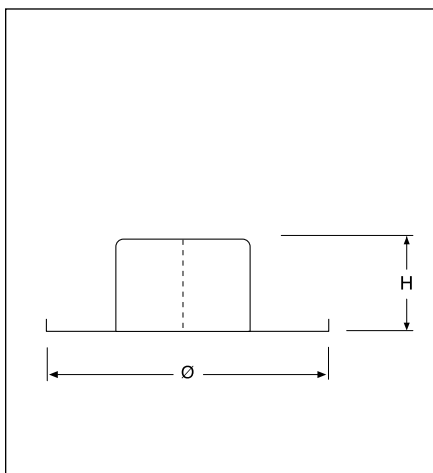
POLIPROPILENE PPs - POLYPROPYLENE PPs

EIKPALU76A08125 *



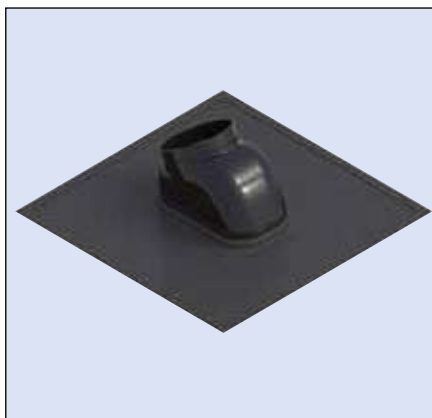
Tegola piana universale con base tonda.

Universal flat flashing with round base.



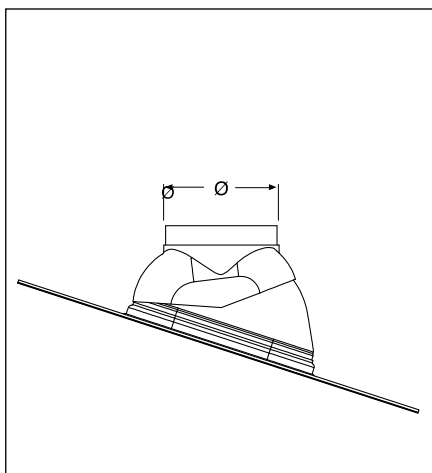
Ø	COD.	H	PCS
60	EIKPALU76A08125	110	1
80	EIKPALU76A08125	110	1
100	EIKPALU76A08125	110	1
125	EIKPALU76A08125	110	1

EIKPALU78A08125 *

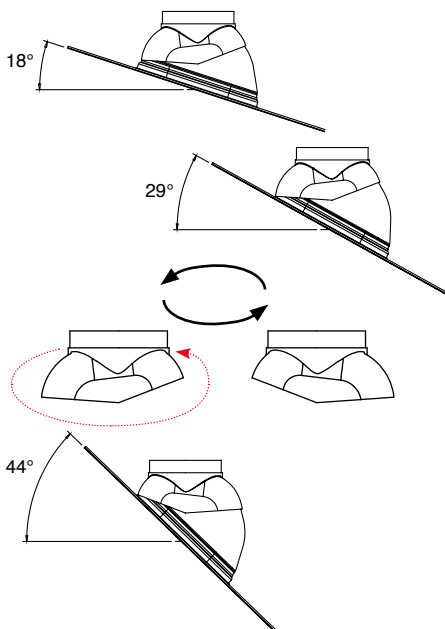


Faldale inclinato da 18° a 44°.

Adjustable flashing from 18° to 44°.



Ø	COD.	PCS
60	EIKPALU78A08125	1
80	EIKPALU78A08125	1
100	EIKPALU78A08125	1
125	EIKPALU78A08125	1

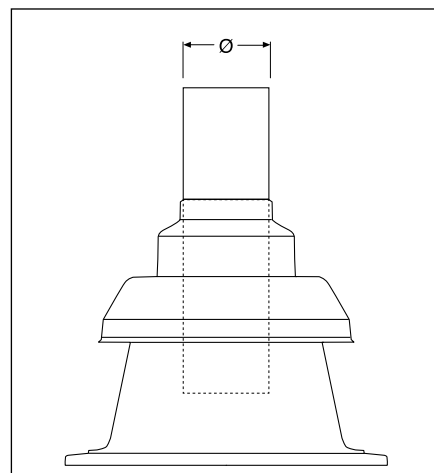


EIKIPALU33... *



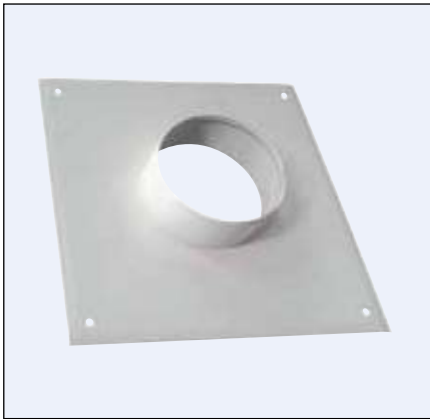
Tegola piana a base quadrata per tetti piani (ventilata) completa di prolunga liscia.

Square-based flashing for flat roofs (ventilated) complete with smooth extension.



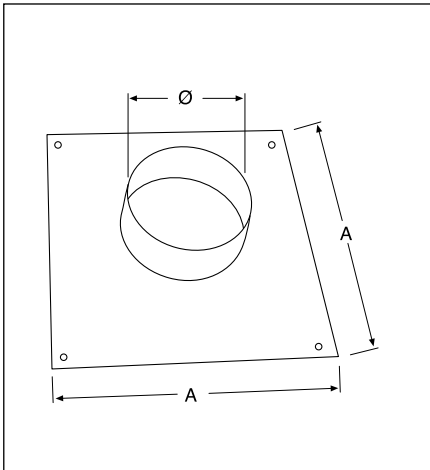
Ø	COD.	PCS
60	EIKIPALU33060	1
80	EIKIPALU33080	1
100	EIKIPALU33100	1

EIKP21...



Piastra di chiusura bianca per coassiale.

White blanking plate for coaxial.



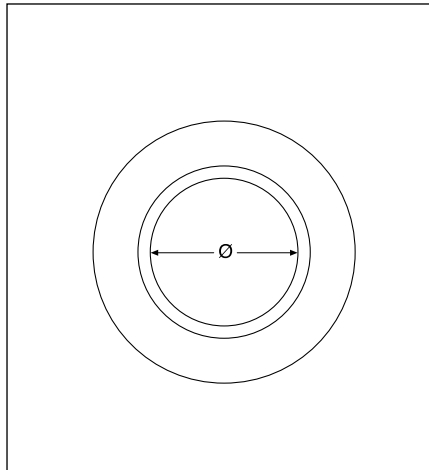
Ø	COD.	A	PCS
60/100	EIKP2106	300	1
80/125	EIKP2108	300	1

EIKROSASI...



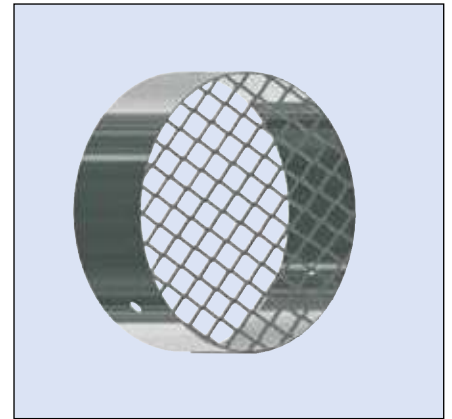
Rosone copimuro interno in EPDM.

Internal wall plate in EPDM.



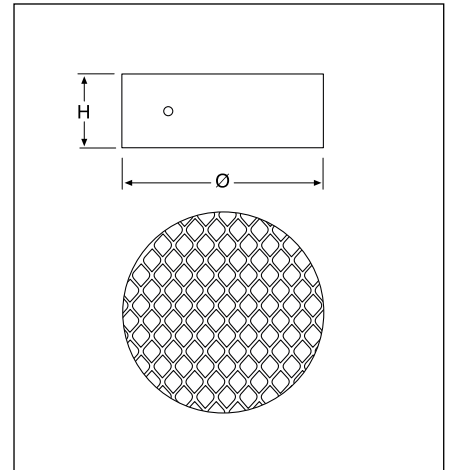
Ø	COD.	PCS
50	EIKROSASI050	#
60	EIKROSASI060	10
80	EIKROSASI080	10
100	EIKROSASI100	10
125	EIKROSASI125	10
160	EIKROSASI160	#
200	EIKROSASI200	#

EIKALGRA...



Griglia in acciaio inox per aspirazione.

Stainless steel grid for aspiration.



Ø	COD.	H	PCS
50	EIKALGRA050	#	#
60	EIKALGRA060	60	1
80	EIKALGRA080	60	1
100	EIKALGRA100	60	1
125	EIKALGRA125	#	#
160	EIKALGRA160	#	#
200	EIKALGRA200	#	#

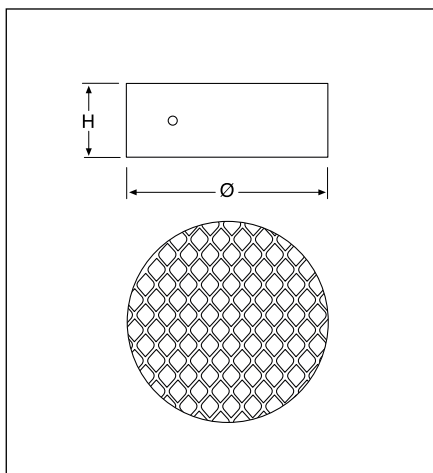
POLIPROPILENE PP_s - POLYPROPYLENE PP_s

EIKNEXPLGASP... *



Griglia PP per aspirazione colore nero.

PP grid for aspiration black color.



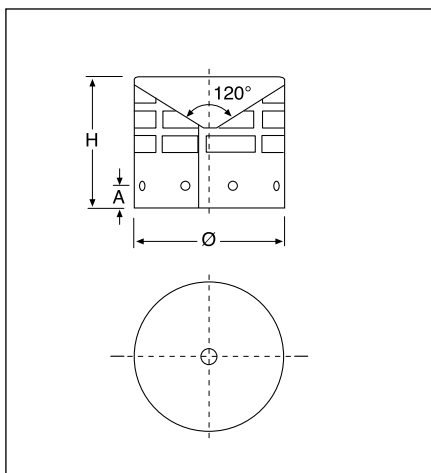
Ø	COD.	H	PCS
50	EIKNEXPLGASP050	#	#
60	EIKNEXPLGASP060	#	#
80	EIKNEXPLGASP080	60	1
100	EIKNEXPLGASP100	#	#
125	EIKNEXPLGASP125	#	#
160	EIKNEXPLGASP160	#	#
200	EIKNEXPLGASP200	#	#

EIKALGRS... *



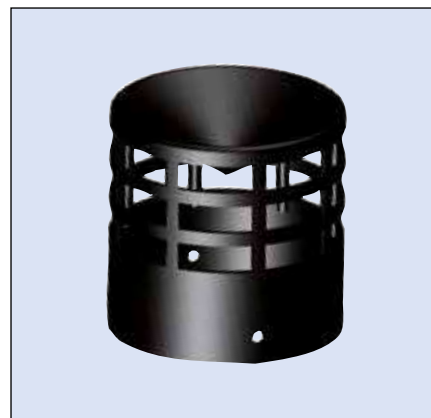
Terminale in acciaio inox per scarico fumi.

Stainless steel terminal for smoke exhaust.



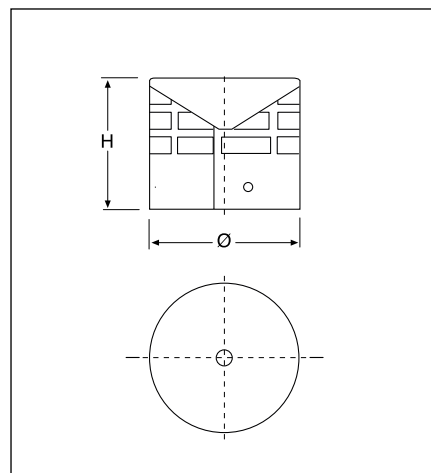
Ø	COD.	A	H	PCS
50	EIKALGRS050	#	#	#
60	EIKALGRS060	12	70	10
80	EIKALGRS080	12	70	10
100	EIKALGRS100	12	70	10
125	EIKALGRS125	#	#	#
160	EIKALGRS160	#	#	#
200	EIKALGRS200	#	#	#

EIKNPLSCAFUM... *



Terminale PP per scarico fumi colore nero.

PP terminal for smoke exhaust black color.



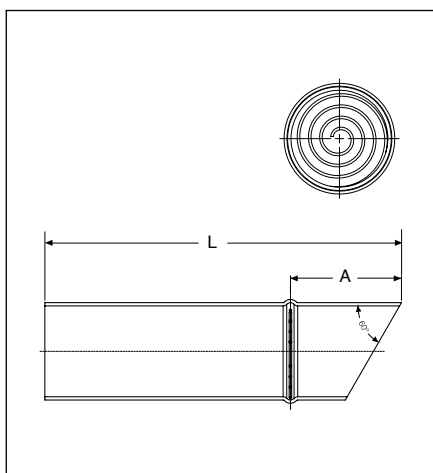
Ø	COD.	H	PCS
50	EIKNPLSCAFUM050	#	#
60	EIKNPLSCAFUM060	70	1
80	EIKNPLSCAFUM080	70	1
100	EIKNPLSCAFUM100	#	#
125	EIKNPLSCAFUM125	#	#
160	EIKNPLSCAFUM160	#	#
200	EIKNPLSCAFUM200	#	#

EIKNPLTIP...



Terminale a 45° con griglia antivolatile in PP nero.

45° terminal with bird grille in black PP.



Ø	COD.	L	A	PCS
60	EIKNPLTIP060	220	68,5	1
80	EIKNPLTIP080	250	68,5	1
100	EIKNPLTIP100	250	68,5	1

EIKKITFLEXPP...



Kit PPs flessibile.

PPs flexible kit.

Contiene / Contains

EIKIPALUP33... EIKKITCONNECT...

EIKPL54A... EIKPCD...

Ø	COD.	PCS
60	EIKKITFLEXPP060	1
80	EIKKITFLEXPP080	1
100	EIKKITFLEXPP100	1

KIT91PPS1 Ø 80



Kit intubazione con flessibile PPs da 9 m.
Intubation kit with 9 m PPs flexible liner.

Contiene / Contains

9 m Flessibile PPs - PPs flexible liner

1 Raccordo a "T" 87° - 87° tee

1 Scarico condensa
Tee cap with condense drain

1 Collare con tassello
Wall bracket with anchor bolt

1 Piastra flex - Flexible top plate

1 Collare di centraggio - Spacing bracket

1 Collare di bloccaggio - Top clamp

1 Tubetto silicone per esterni
Silicone tube for outdoor use

2 Guarnizioni - Seals

4 Tasselli con viti - Dowels with screws

COD.	PCS
KIT91PPS1	1

EIKLUBGN



Lubrificante per guarnizione.

Lubricant for seal.

COD.	PCS
EIKLUBGN	1

PACKPPS1 Ø 80



Kit intubazione PPs.
Intubation kit PPs.

Contiene / Contains

1 Raccordo a "T" 87° - 87° tee

1 Scarico condensa
Tee cap with condense drain

1 Collare con tassello
Wall bracket with anchor bolt

1 Piastra flex - Flexible top plate

1 Collare di centraggio - Spacing bracket

1 Collare di bloccaggio - Top clamp

1 Tubetto silicone per esterni
Silicone tube for outdoor use

2 Guarnizioni - Seals

4 Tasselli con viti - Dowels with screws

COD.	PCS
PACKPPS1	1