



EdilWOODEX

ACCIAIO AL CARBONIO SMALTATO
ENAMELLED CARBON STEEL

EdiWOODEX



SISTEMA MONOPARETE EdilWOODEX

Il sistema **monoparete EdilWOODEX** è composto da elementi componibili rigidi, realizzati in acciaio al carbonio smaltato bianco, nero e marrone rastremato per garantire, insieme alla tenuta perfetta nell'evacuazione dei fumi, alta qualità estetica. Gli elementi sono conformi agli standard previsti dalla marcatura CE secondo la normativa EN 1856-2. Ideali con generatori funzionanti in depressione con combustibili solidi e temperature molto elevate (fino a 600 °C).

Riferimento normativo e designazione

Marcatura prodotto secondo normativa europea EN 1856-2.

T600 N1 D V2 L80035 O600

T600 N1 D V2 L80035 G800M

Utilizzo

Condotti, canali da fumo, camini metallici, asserviti in particolare a generatori di calore di tipo stufe a legna e caminetti.

Applicazione

Installazione interna.

Diametri disponibili - mm

80 - 100 - 120 - 130 **A RICHIESTA**

SINGLE WALL EdilWOODEX SYSTEM

Single wall EdilWOODEX system is composed by modular rigid elements, made of white, black and brown enamelled carbon steel, tapered to ensure a perfect seal in the discharge of smoke and at the same time high aesthetic quality. The elements are compliant to the standards set out by the European CE mark, EN 1856-2. Ideal for generators operating in depression with solid fuels and very high temperatures (up to 600 °C).

Normative references and designation

Product marking according to the European standard EN 1856-2.

T600 N1 D V2 L80035 O600

T600 N1 D V2 L80035 G800M

Utilizations

Ducts, flue pipes, metal chimneys, particularly subservient to wood stoves and fireplaces.

Application

Internal installation.

Available diameters - mm

80 - 100 - 120 - 130 **ON REQUEST**

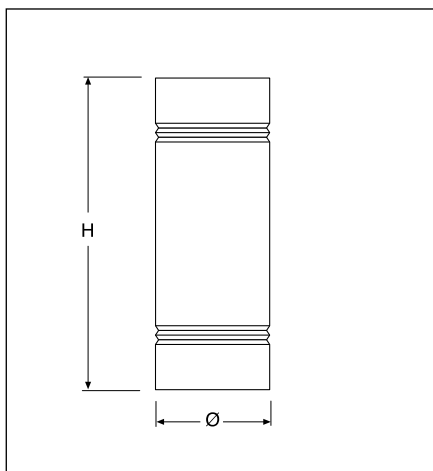
MONOPARETE SMALTATO - ENAMELLED CARBON STEEL

EIKPO.TA1S...



Elemento lineare da 1 m.

Pipe 1 m.



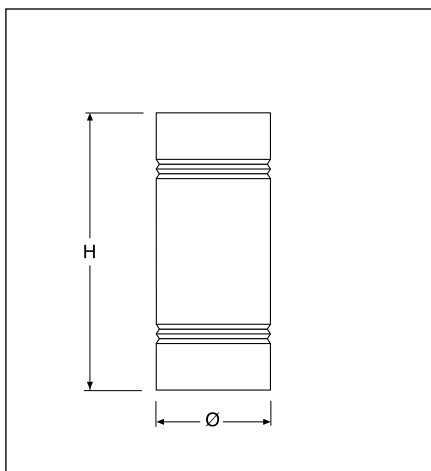
| Ø | COD. | | | H |
|-----|-----------------|------------------|---------------|-----|
| | BIANCO WHITE | MARRONE BROWN | NERO BLACK | |
| 80 | EIKPOBTA1S080 | EIKPOMTA1S080 | EIKPONTA1S080 | 920 |
| 100 | EIKPOBTA1S100 | EIKPOMTA1S100 | EIKPONTA1S100 | 920 |
| 120 | EIKPOBTA1S120 | EIKPOMTA1S120 | EIKPONTA1S120 | 920 |
| 130 | EIKPOBTA1S130 | EIKPOMTA1S130 | EIKPONTA1S130 | 920 |

EIKPO.TA50S...



Elemento lineare da 0,50 m.

Pipe 0.50 m.



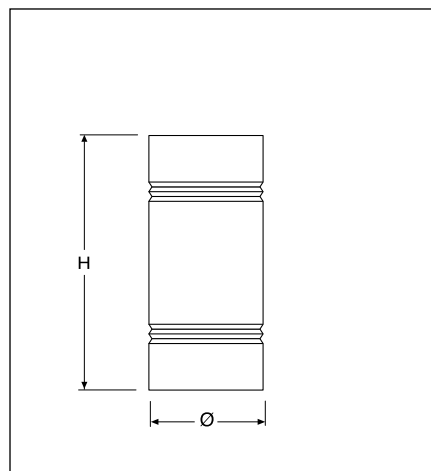
| Ø | COD. | | | H |
|-----|-----------------|------------------|----------------|-----|
| | BIANCO WHITE | MARRONE BROWN | NERO BLACK | |
| 80 | EIKPOBTA50S080 | EIKPOMTA50S080 | EIKPONTA50S080 | 380 |
| 100 | EIKPOBTA50S100 | EIKPOMTA50S100 | EIKPONTA50S100 | 380 |
| 120 | EIKPOBTA50S120 | EIKPOMTA50S120 | EIKPONTA50S120 | 380 |
| 130 | EIKPOBTA50S130 | EIKPOMTA50S130 | EIKPONTA50S130 | 380 |

EIKPO.TA25S...



Elemento lineare da 0,25 m.

Pipe 0.25 m.



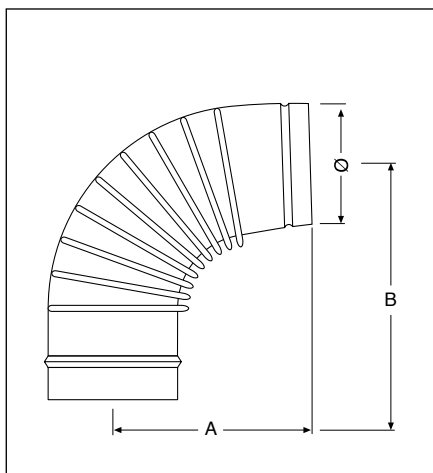
| Ø | COD. | | | H |
|-----|-----------------|------------------|----------------|-----|
| | BIANCO WHITE | MARRONE BROWN | NERO BLACK | |
| 80 | EIKPOBTA25S080 | EIKPOMTA25S080 | EIKPONTA25S080 | 180 |
| 100 | EIKPOBTA25S100 | EIKPOMTA25S100 | EIKPONTA25S100 | 180 |
| 120 | EIKPOBTA25S120 | EIKPOMTA25S120 | EIKPONTA25S120 | 180 |
| 130 | EIKPOBTA25S130 | EIKPOMTA25S130 | EIKPONTA25S130 | 180 |

EIKPO.GA90S...



Curva a 90°.

Elbow 90°.



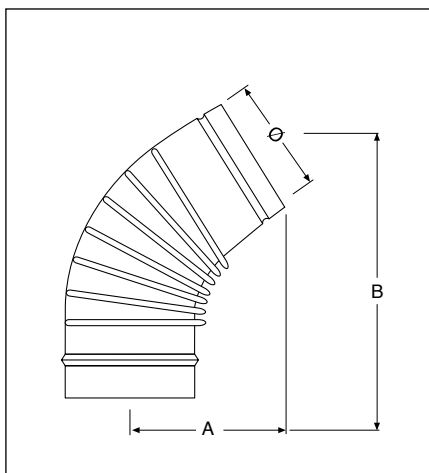
| Ø | COD. | | | A | B |
|-----|-----------------|------------------|----------------|-----|-----|
| | BIANCO WHITE | MARRONE BROWN | NERO BLACK | | |
| 80 | EIKPOBGA90S080 | EIKPOMGA90S080 | EIKPONGA90S080 | 140 | 147 |
| 100 | EIKPOBGA90S100 | EIKPOMGA90S100 | EIKPONGA90S100 | 165 | 185 |
| 120 | EIKPOBGA90S120 | EIKPOMGA90S120 | EIKPONGA90S120 | 190 | 198 |
| 130 | EIKPOBGA90S130 | EIKPOMGA90S130 | EIKPONGA90S130 | 195 | 198 |
| | | | | | |
| | | | | | |

EIKPO.GA45S...



Curva a 45°.

Elbow 45°.



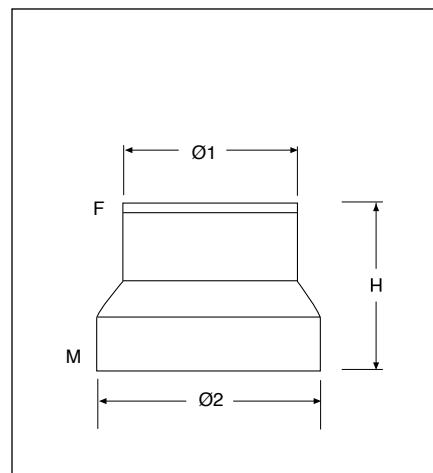
| Ø | COD. | | | A | B |
|-----|-----------------|------------------|----------------|-----|-----|
| | BIANCO WHITE | MARRONE BROWN | NERO BLACK | | |
| 80 | EIKPOBGA45S080 | EIKPOMGA45S080 | EIKPONGA45S080 | 110 | 165 |
| 100 | EIKPOBGA45S100 | EIKPOMGA45S100 | EIKPONGA45S100 | 125 | 195 |
| 120 | EIKPOBGA45S120 | EIKPOMGA45S120 | EIKPONGA45S120 | 155 | 215 |
| 130 | EIKPOBGA45S130 | EIKPOMGA45S130 | EIKPONGA45S130 | 160 | 220 |
| | | | | | |
| | | | | | |

EIKPO.RAI.....



Aumento di diametro.

Increaser.



| Ø | COD. | | | H |
|---------|-----------------|------------------|-----------------|----|
| | BIANCO WHITE | MARRONE BROWN | NERO BLACK | |
| 80-100 | EIKPOBRAI080100 | EIKPOMRAI080100 | EIKPONRAI080100 | 70 |
| 80-120 | EIKPOBRAI080120 | EIKPOMRAI080120 | EIKPONRAI080120 | 70 |
| 100-120 | EIKPOBRAI100120 | EIKPOMRAI100120 | EIKPONRAI100120 | 70 |
| 120-130 | EIKPOBRAI120130 | EIKPOMRAI120130 | EIKPONRAI120130 | 70 |
| 120-140 | EIKPOBRAI120140 | EIKPOMRAI120140 | EIKPONRAI120140 | 70 |
| 130-140 | EIKPOBRAI130140 | EIKPOMRAI130140 | EIKPONRAI130140 | 70 |

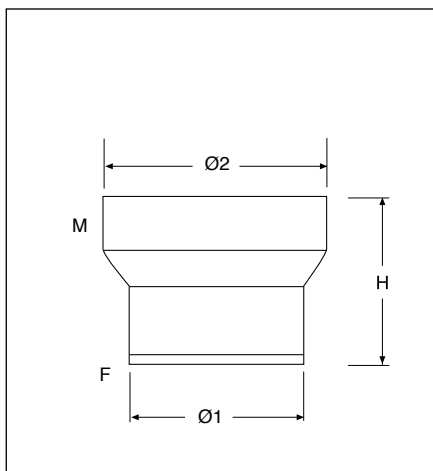
MONOPARETE SMALTATO - ENAMELLED CARBON STEEL

EIKPO.RCI.....



Riduzione di diametro.

Reducer.



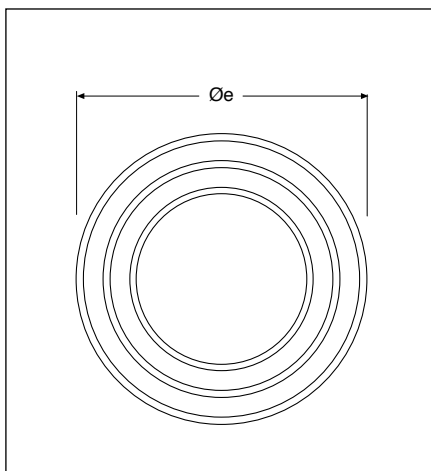
| Ø | COD. | | | H |
|---------|------------------|------------------|-----------------|----|
| | BIANCO WHITE | MARRONE BROWN | NERO BLACK | |
| 100-80 | EIKPOBRRC1100080 | EIKPOMRC1100080 | EIKPONRC1100080 | 70 |
| 120-80 | EIKPOBRRC1120080 | EIKPOMRC1120080 | EIKPONRC1120080 | 70 |
| 120-100 | EIKPOBRRC1120100 | EIKPOMRC1120100 | EIKPONRC1120100 | 70 |
| 130-120 | EIKPOBRRC1130120 | EIKPOMRC1130120 | EIKPONRC1130120 | 70 |
| 140-120 | EIKPOBRRC1140120 | EIKPOMRC1140120 | EIKPONRC1140120 | 70 |
| 140-130 | EIKPOBRRC1140130 | EIKPOMRC1140130 | EIKPONRC1140130 | 70 |

EIKPO.ROSCO...



Rosone.

Rosace.



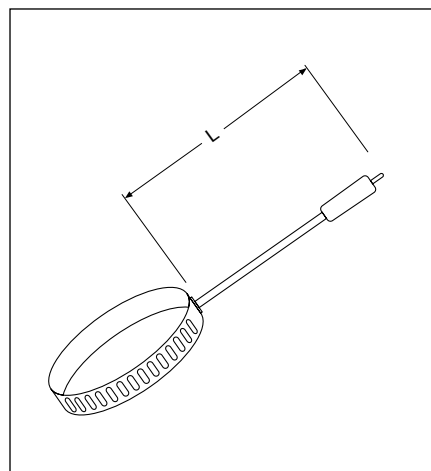
| Ø | Øe | COD. | | |
|-----|-----|-----------------|------------------|----------------|
| | | BIANCO WHITE | MARRONE BROWN | NERO BLACK |
| 80 | 120 | EIKPOBROSCO080 | EIKPOMROSCO080 | EIKPONROSCO080 |
| 100 | 140 | EIKPOBROSCO100 | EIKPOMROSCO100 | EIKPONROSCO100 |
| 120 | 160 | EIKPOBROSCO120 | EIKPOMROSCO120 | EIKPONROSCO120 |
| 130 | 170 | EIKPOBROSCO130 | EIKPOMROSCO130 | EIKPONROSCO130 |

EIKPO.COLSS...



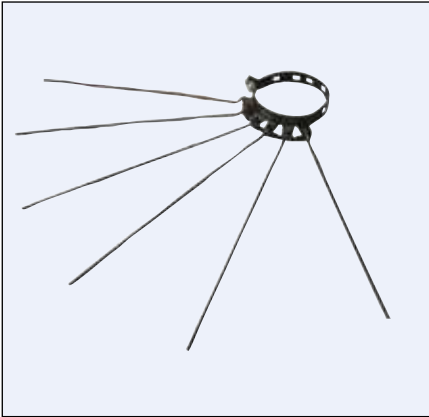
Collare a muro con tassello.

Wall bracket with anchor bolt.



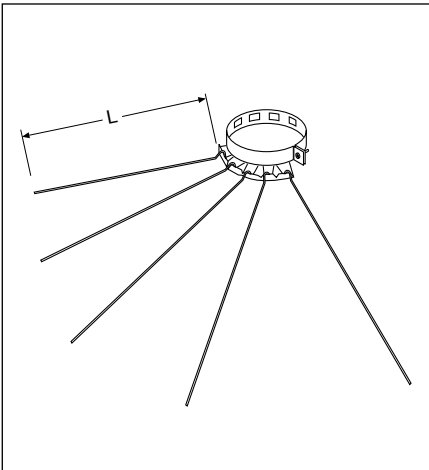
| Ø | COD. | | | L |
|--------|-----------------|------------------|----------------|-----|
| | BIANCO WHITE | MARRONE BROWN | NERO BLACK | |
| 80-120 | EIKPOBCOLSS080 | EIKPOMCOLSS080 | EIKPONCOLSS080 | 100 |

EIKNSTENDINO08



Stendibiancheria.

Clothes drier.



| Ø | COD. | L |
|--------|----------------|----|
| | NERO BLACK | |
| 80-130 | EIKNSTENDINO08 | 40 |
| | | |
| | | |
| | | |
| | | |